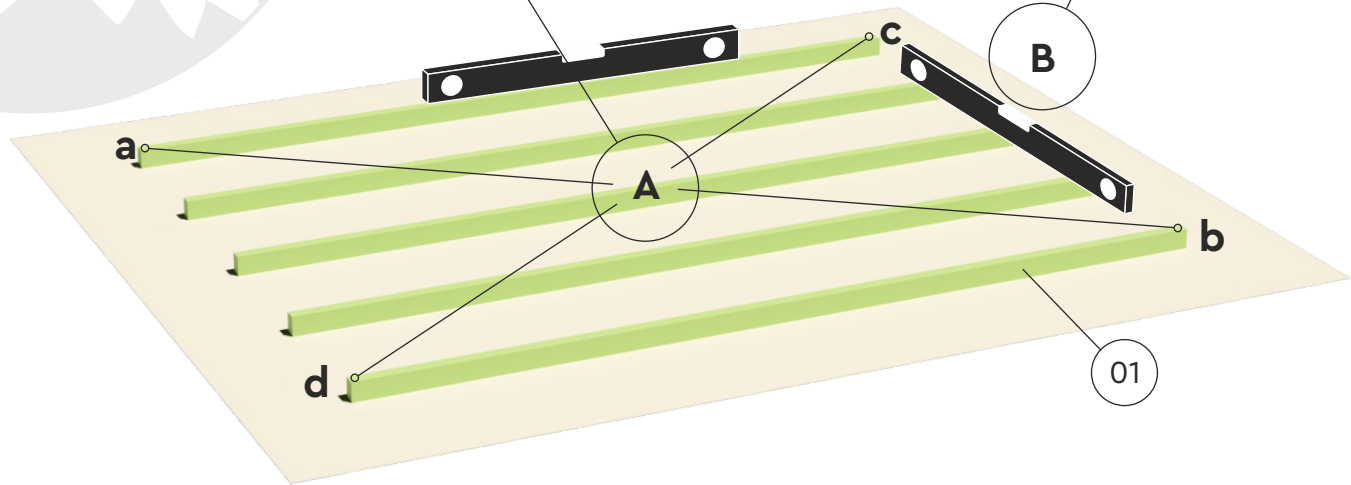
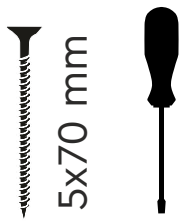
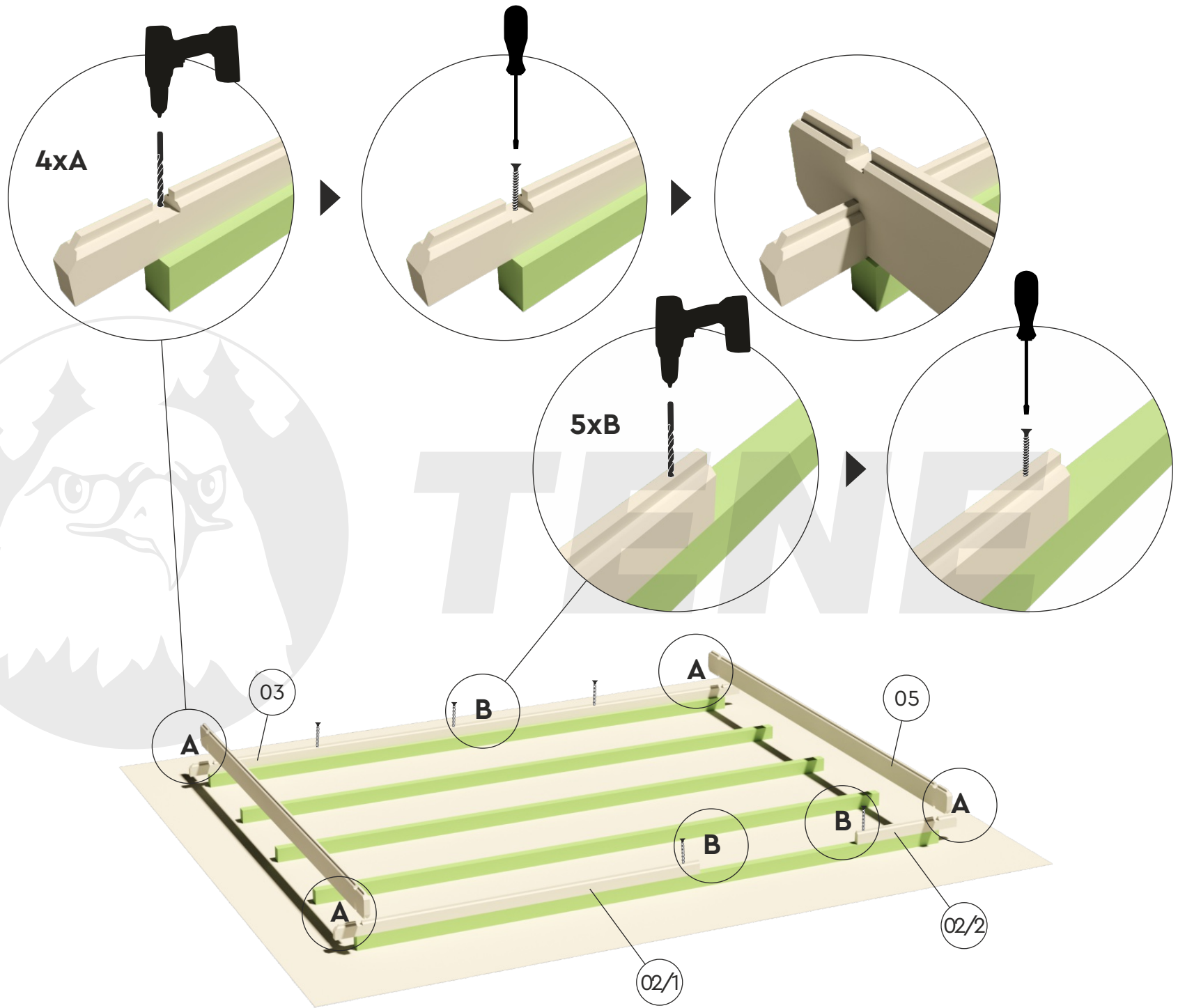


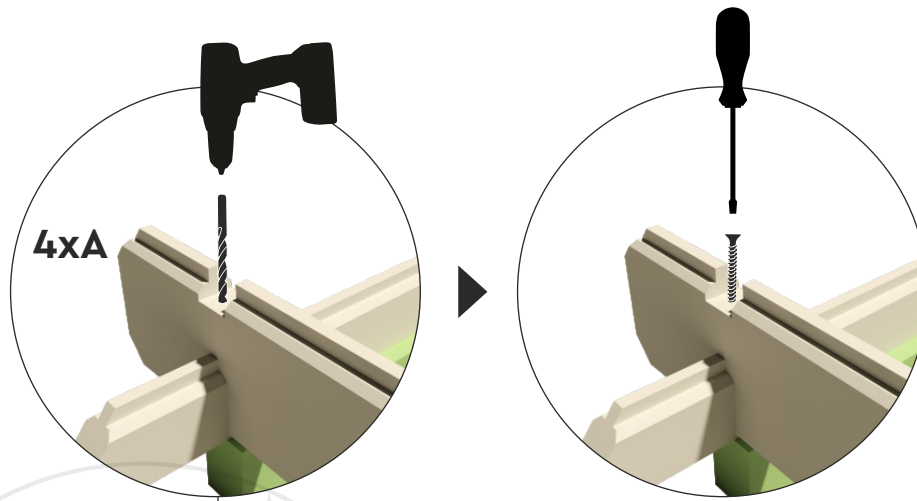
TENNE



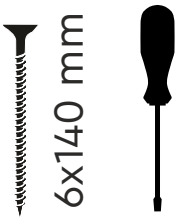
CAROLINE A 28



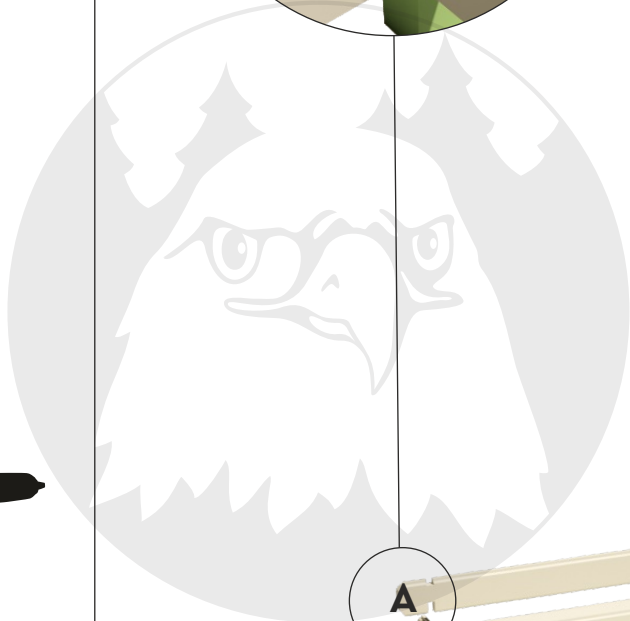
CAROLINE A 28



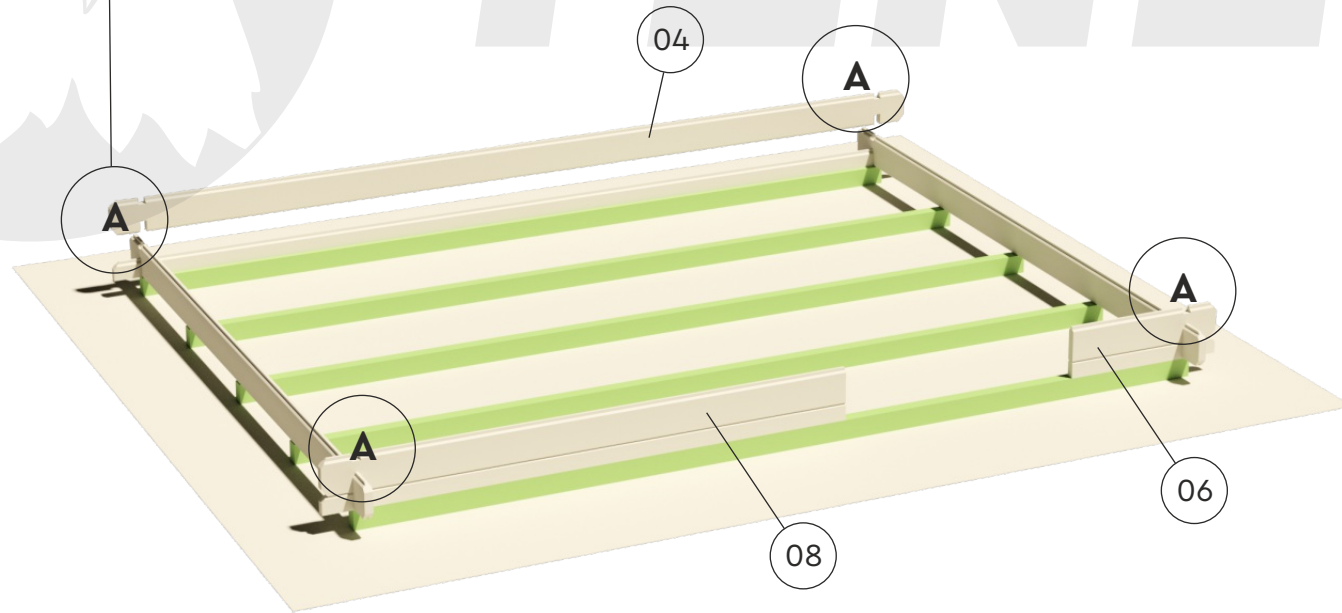
Ø 5 mm



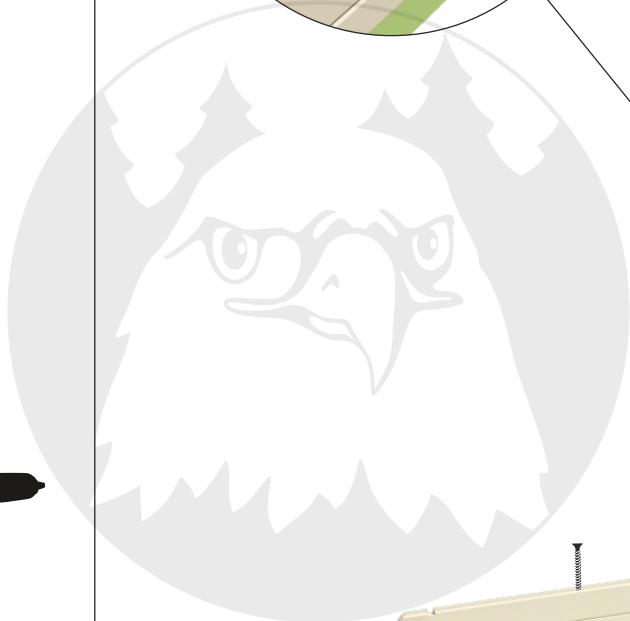
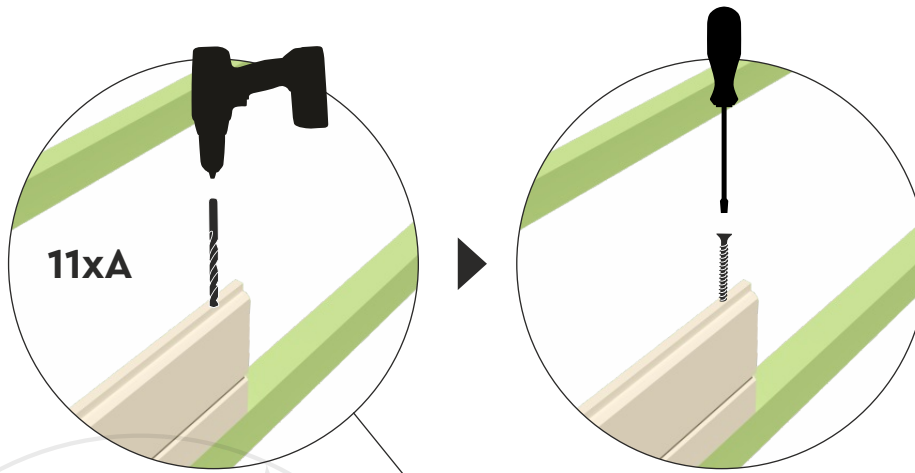
6x140 mm



TENE



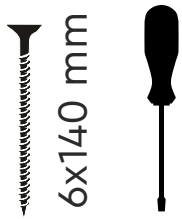
CAROLINE A 28



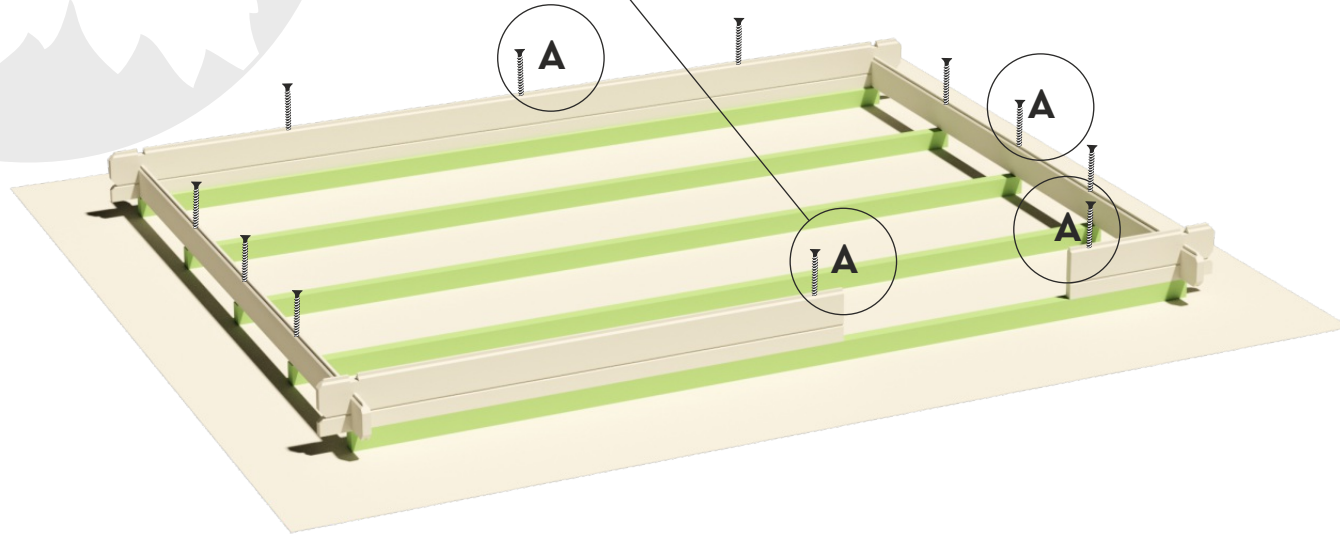
TENE



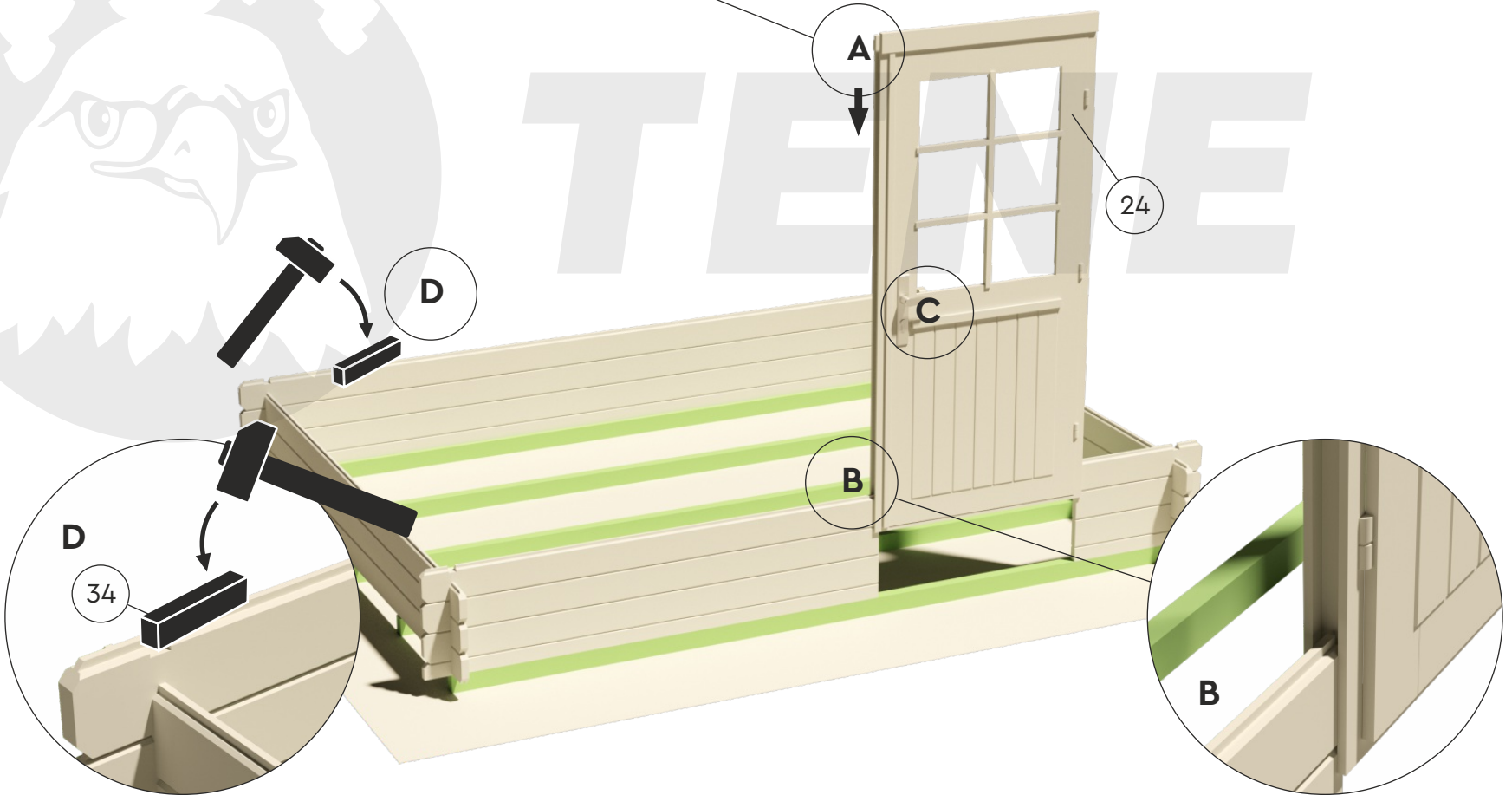
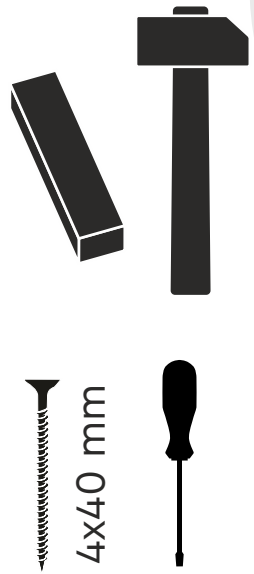
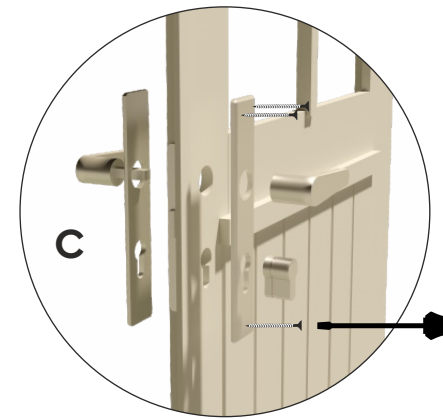
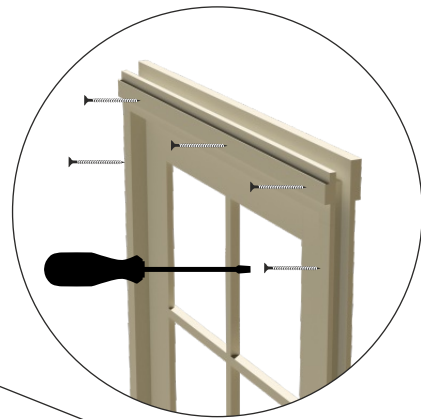
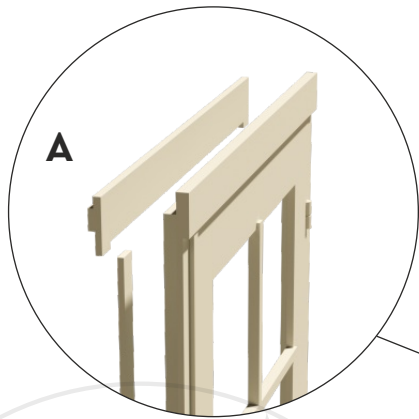
Ø 5 mm

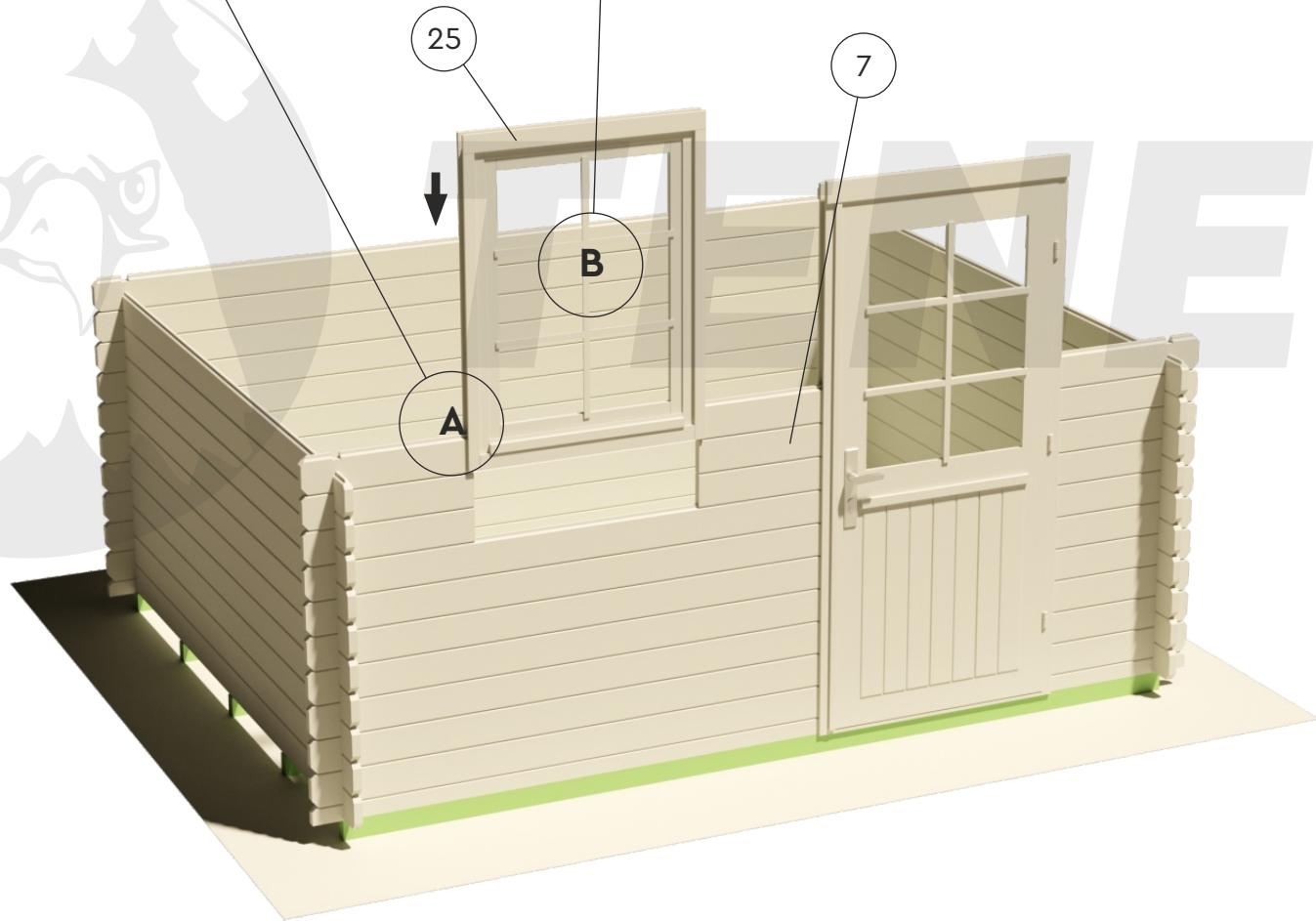
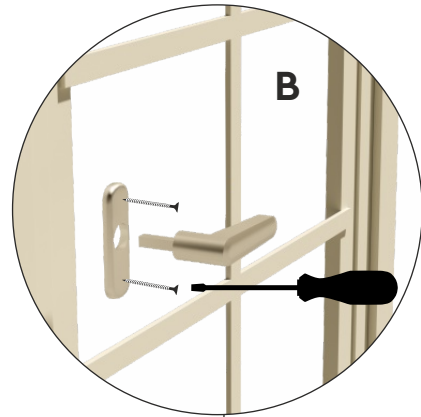
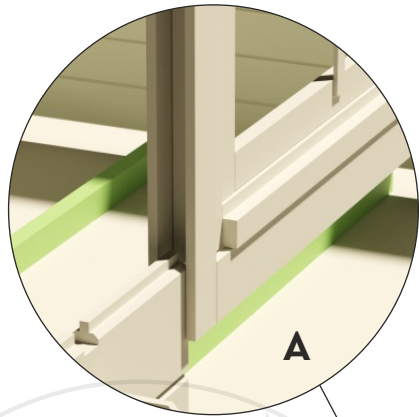


6x140 mm

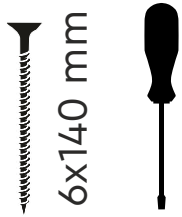
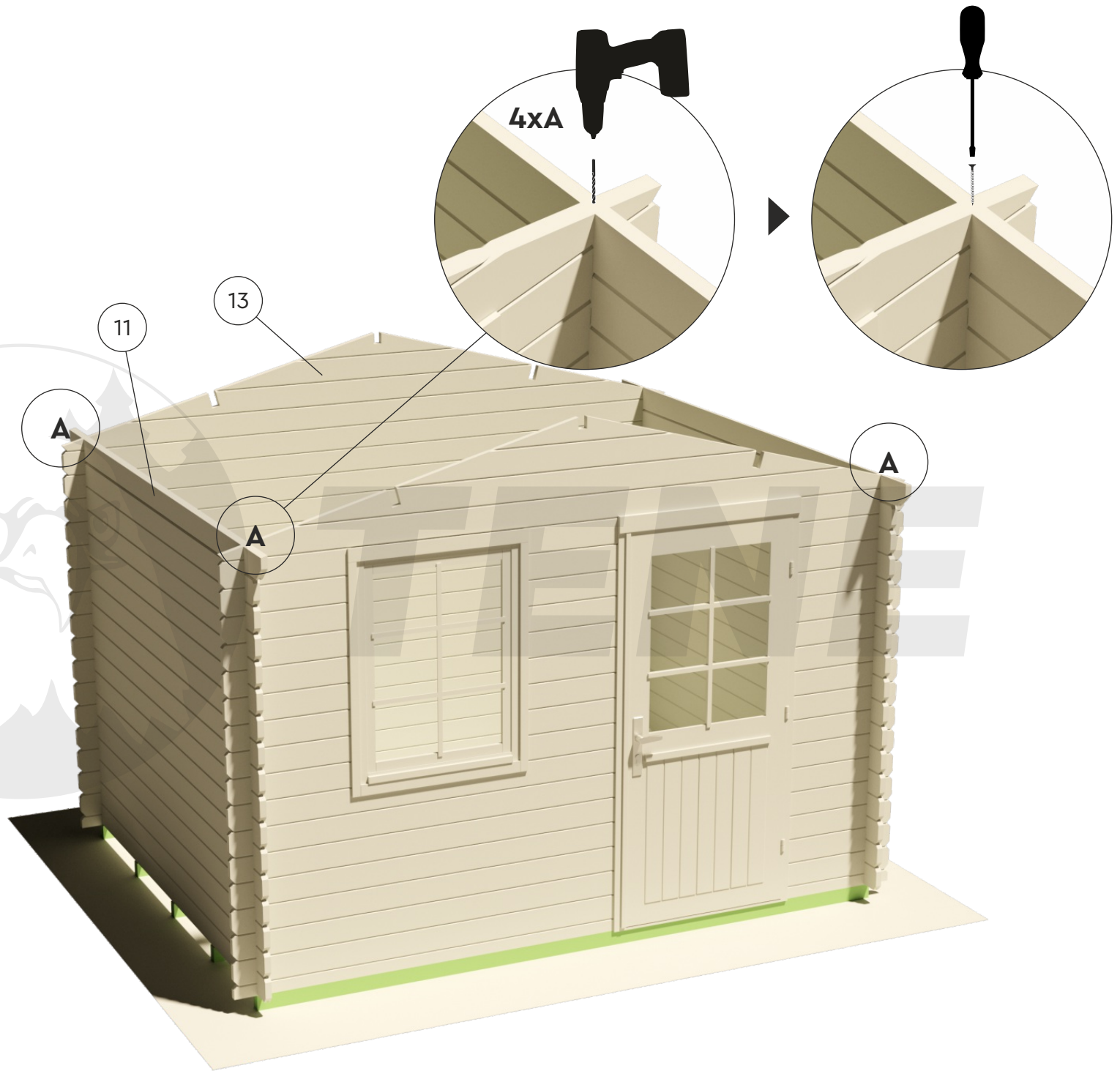


CAROLINE A 28

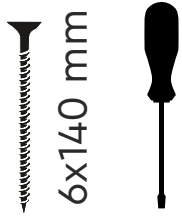
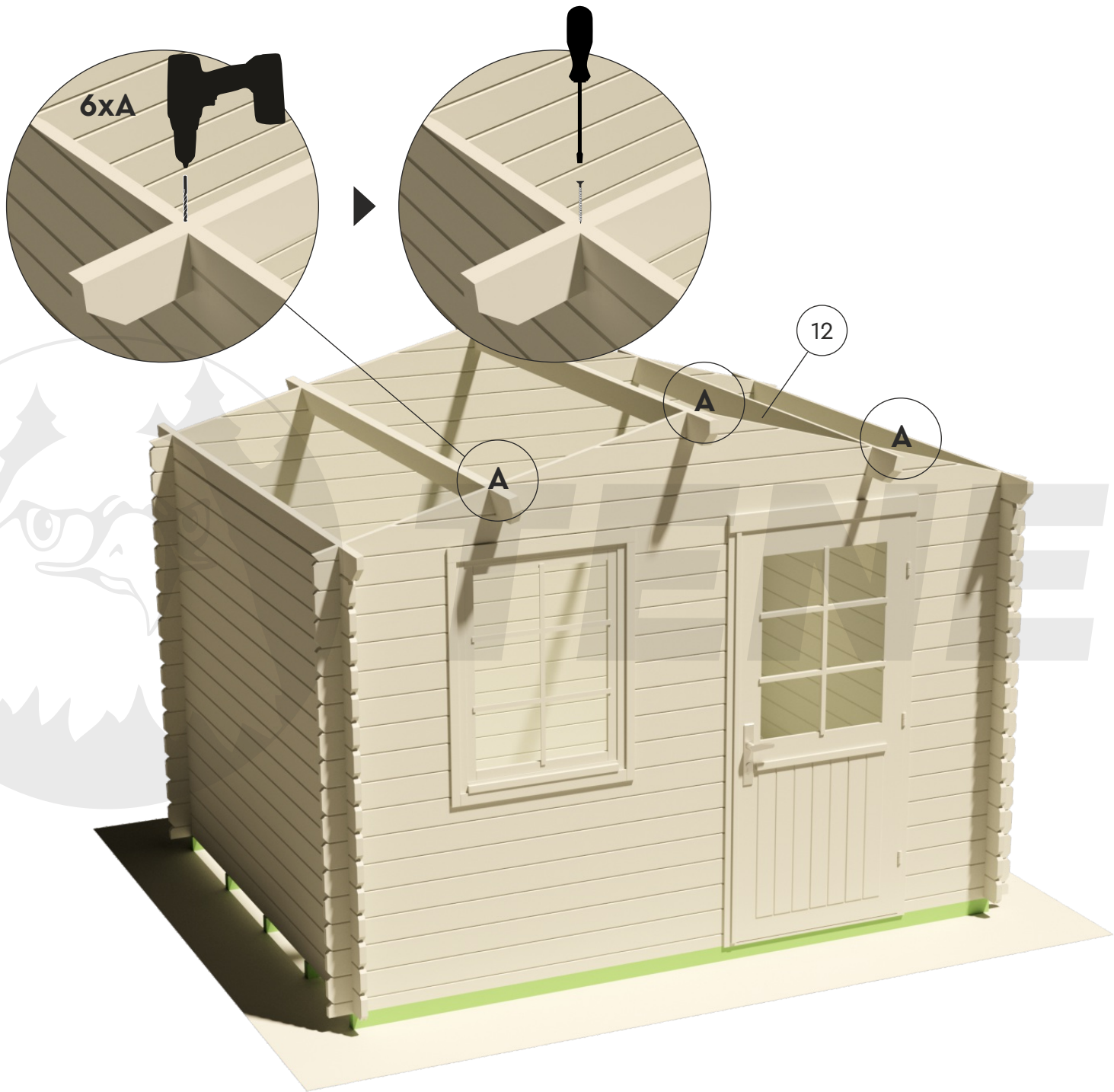




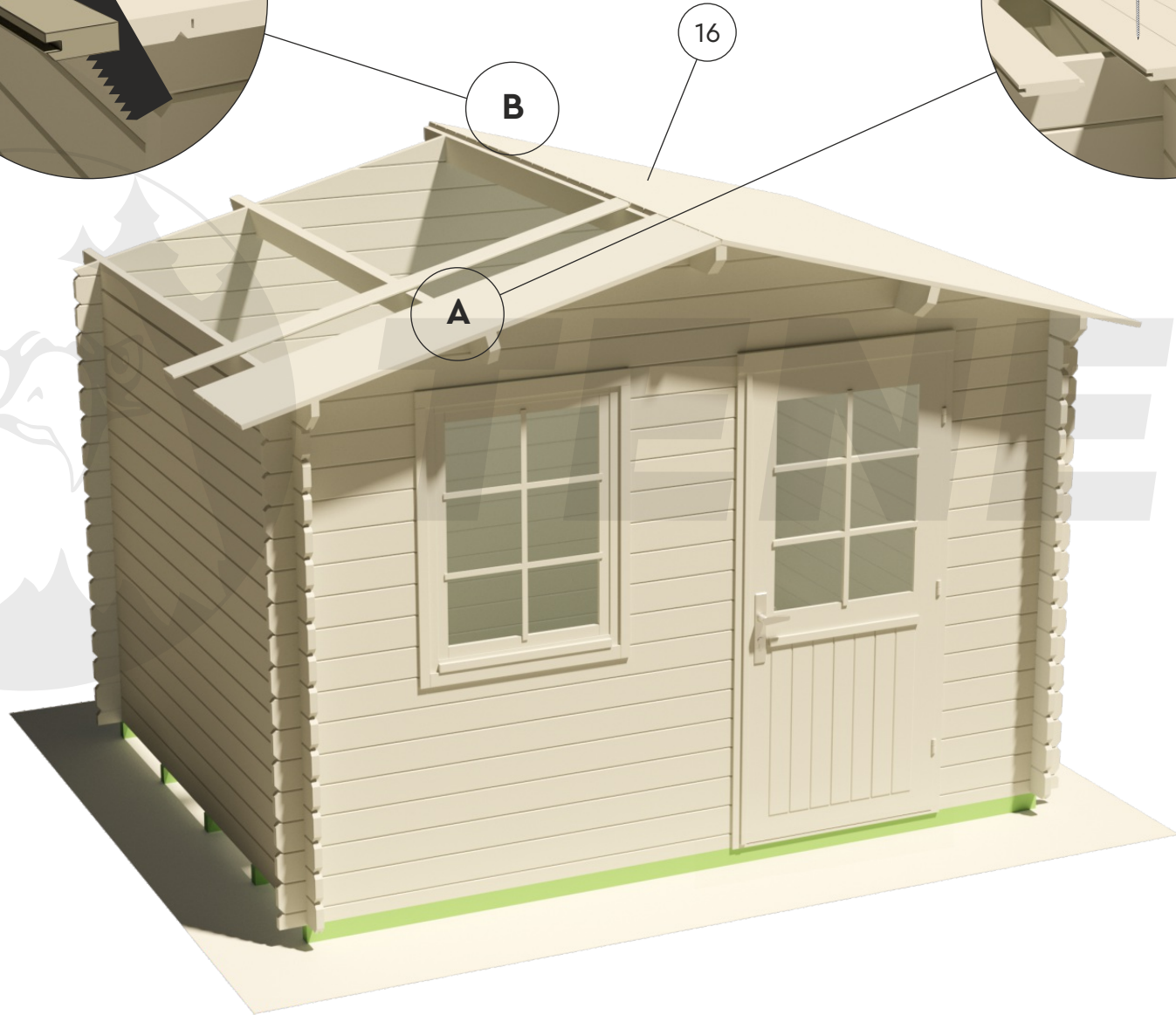
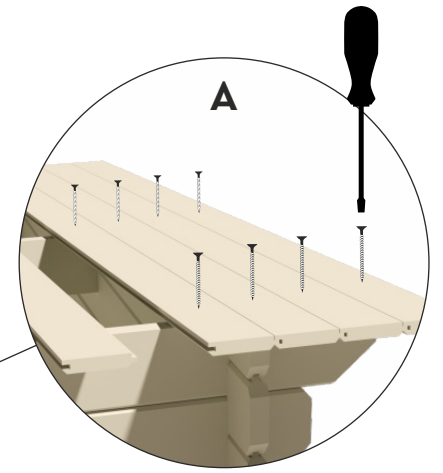
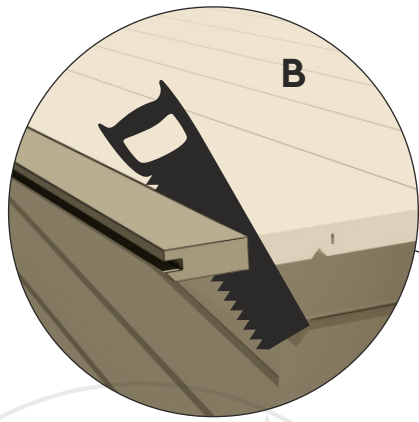
CAROLINE A 28



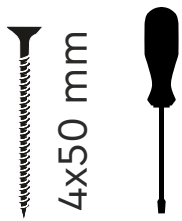
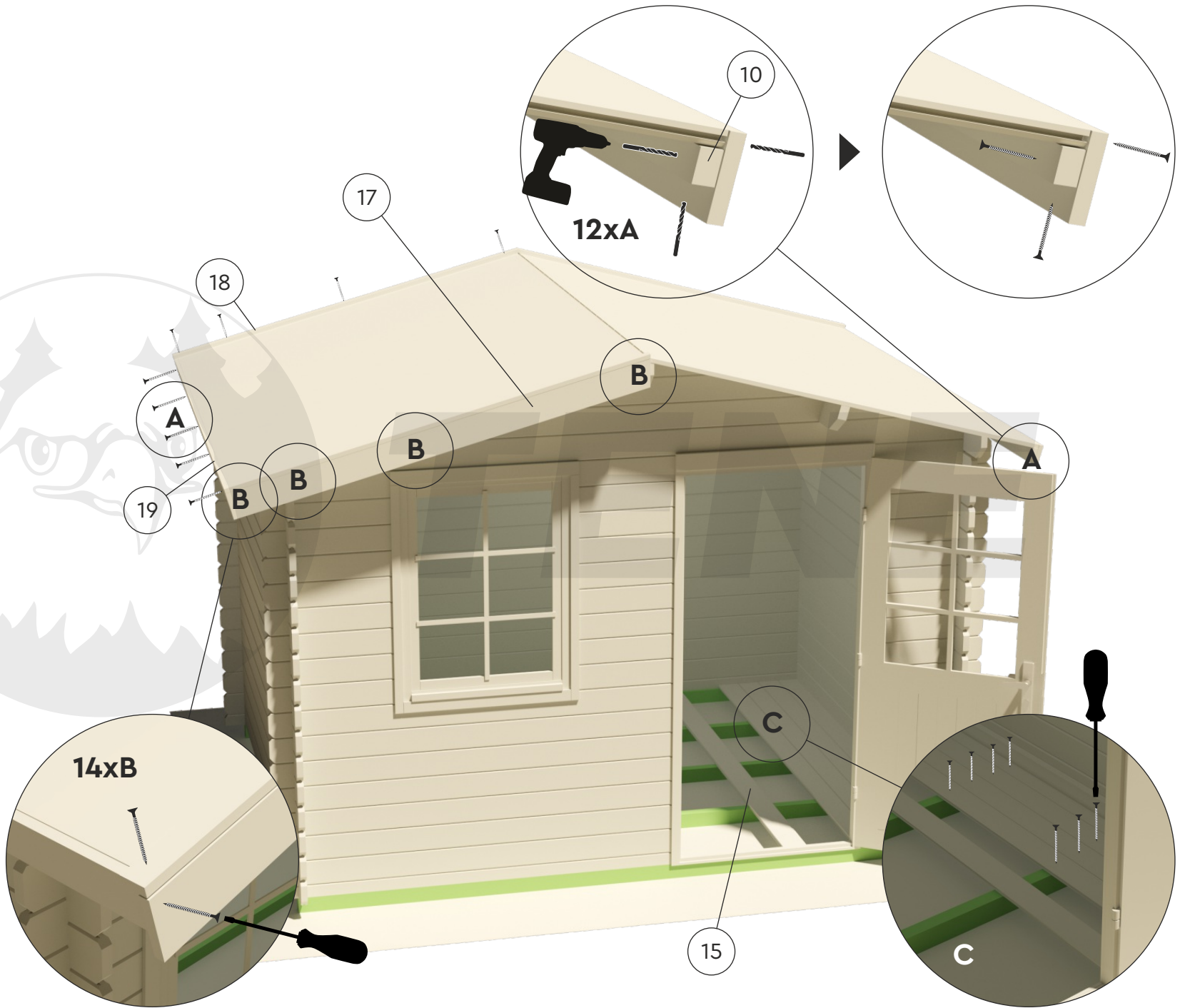
CAROLINE A 28



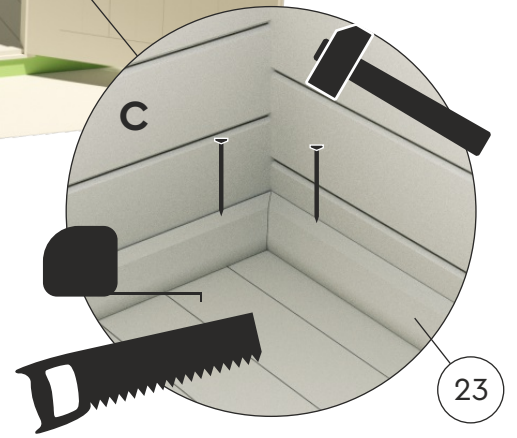
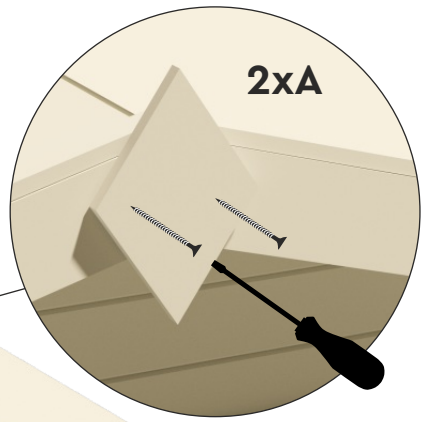
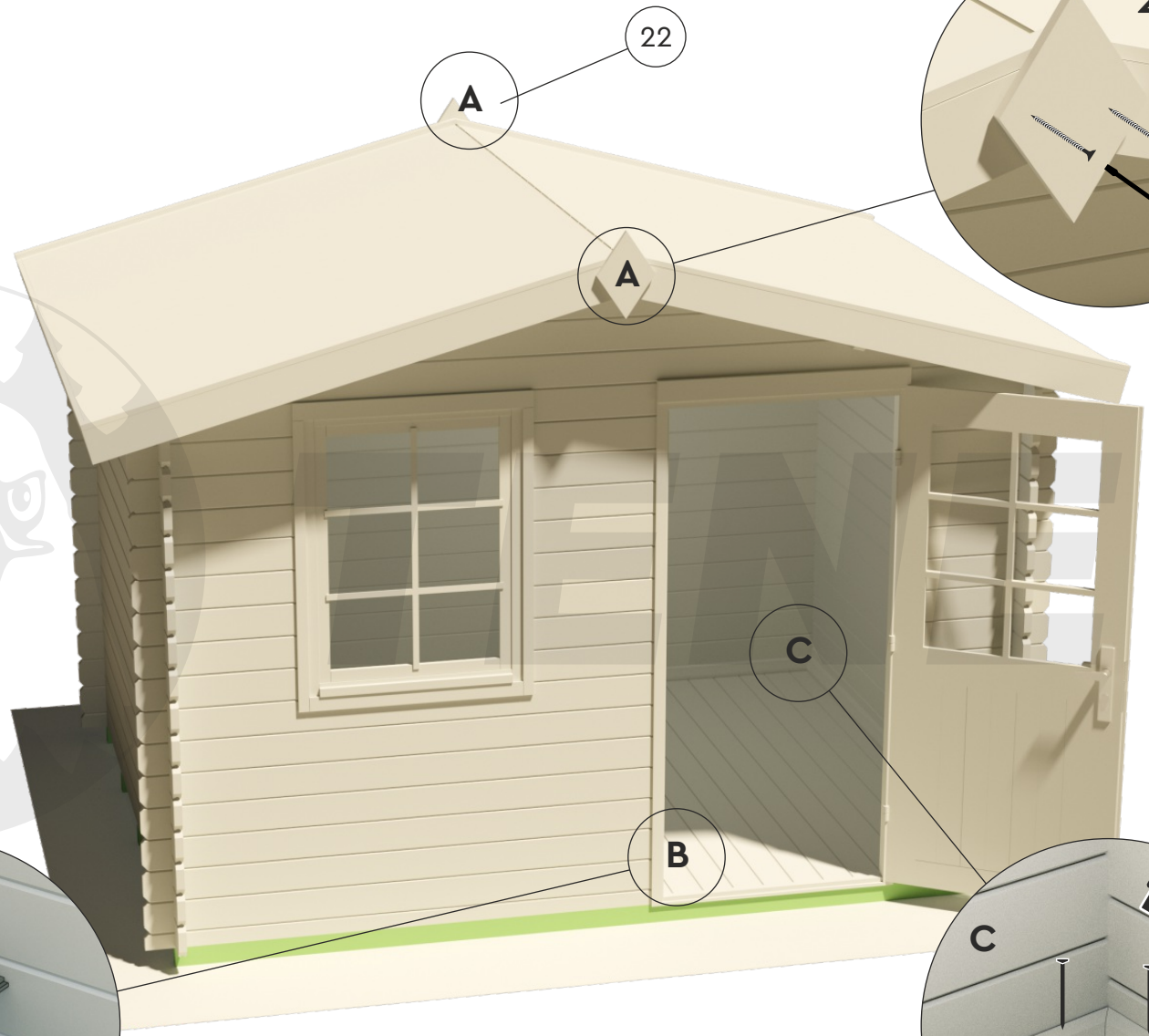
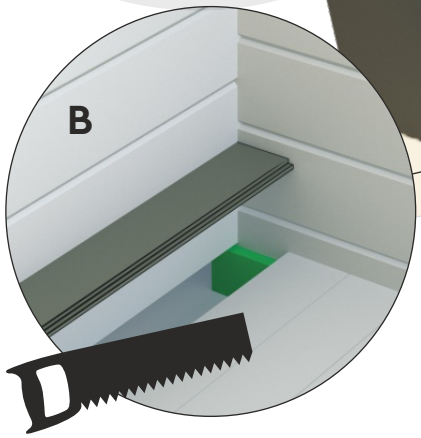
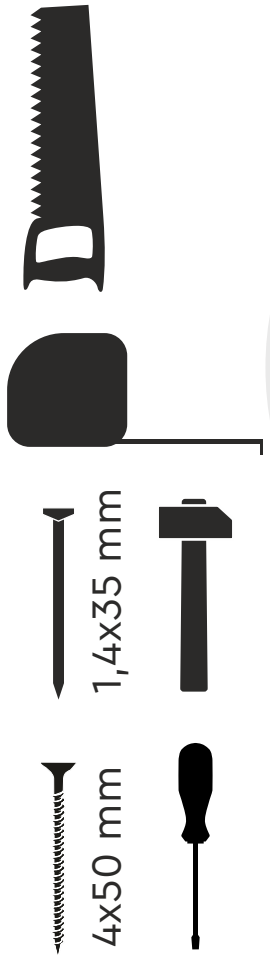
CAROLINE A 28



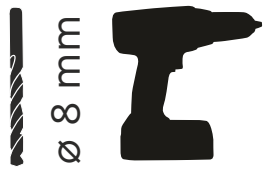
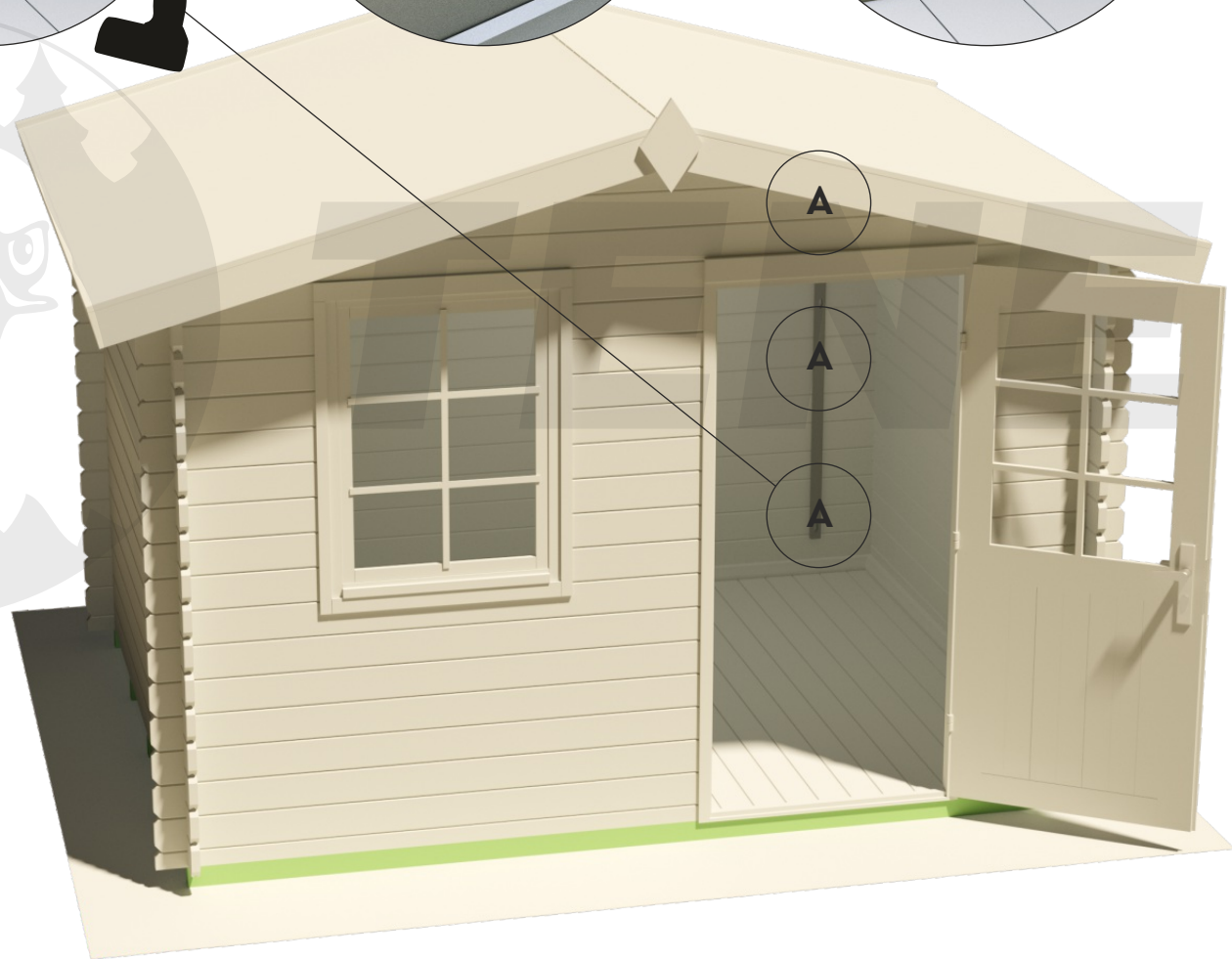
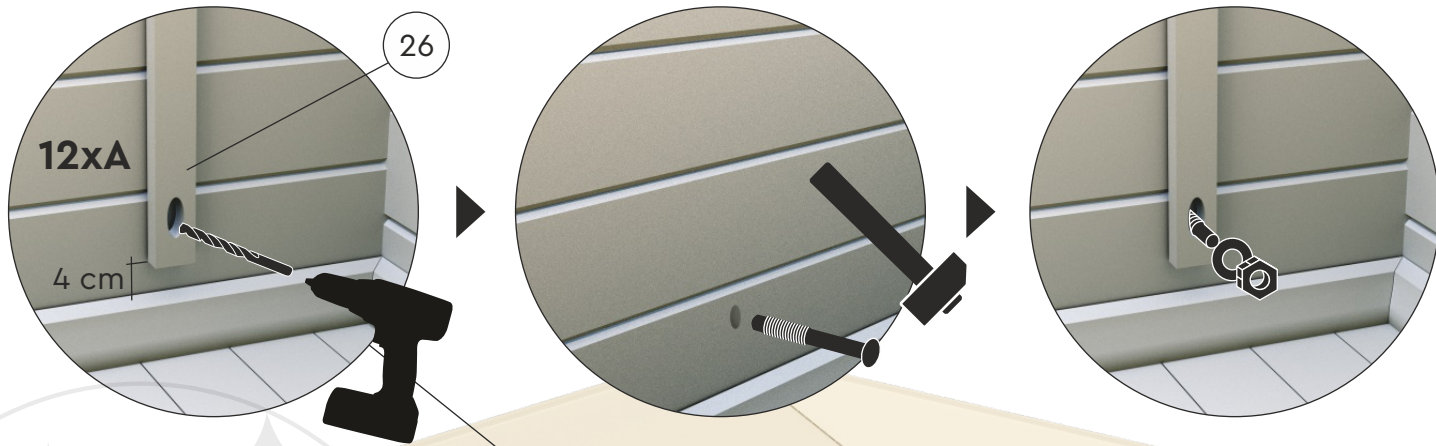
CAROLINE A 28



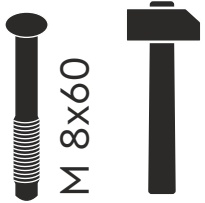
CAROLINE A 28



CAROLINE A 28



Ø 8 mm



M 8x60

