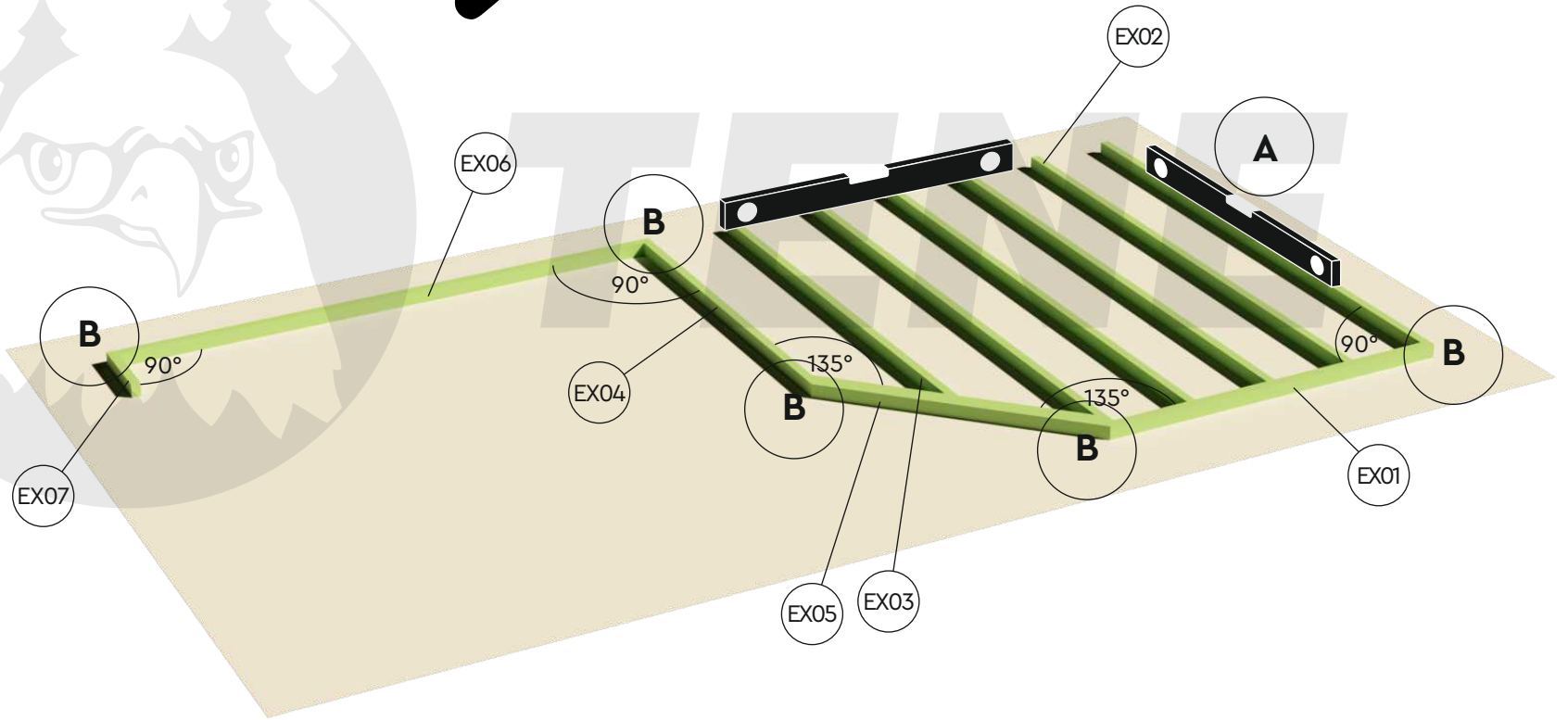
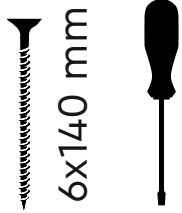
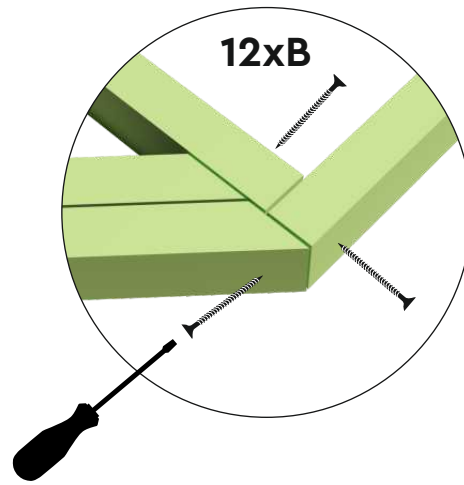
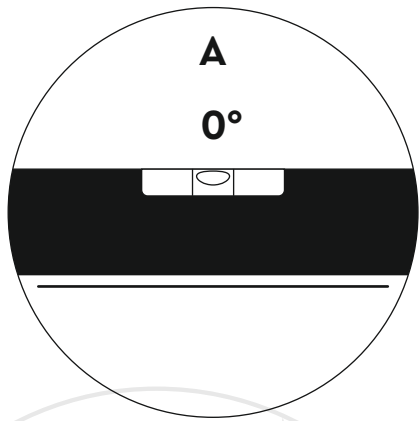
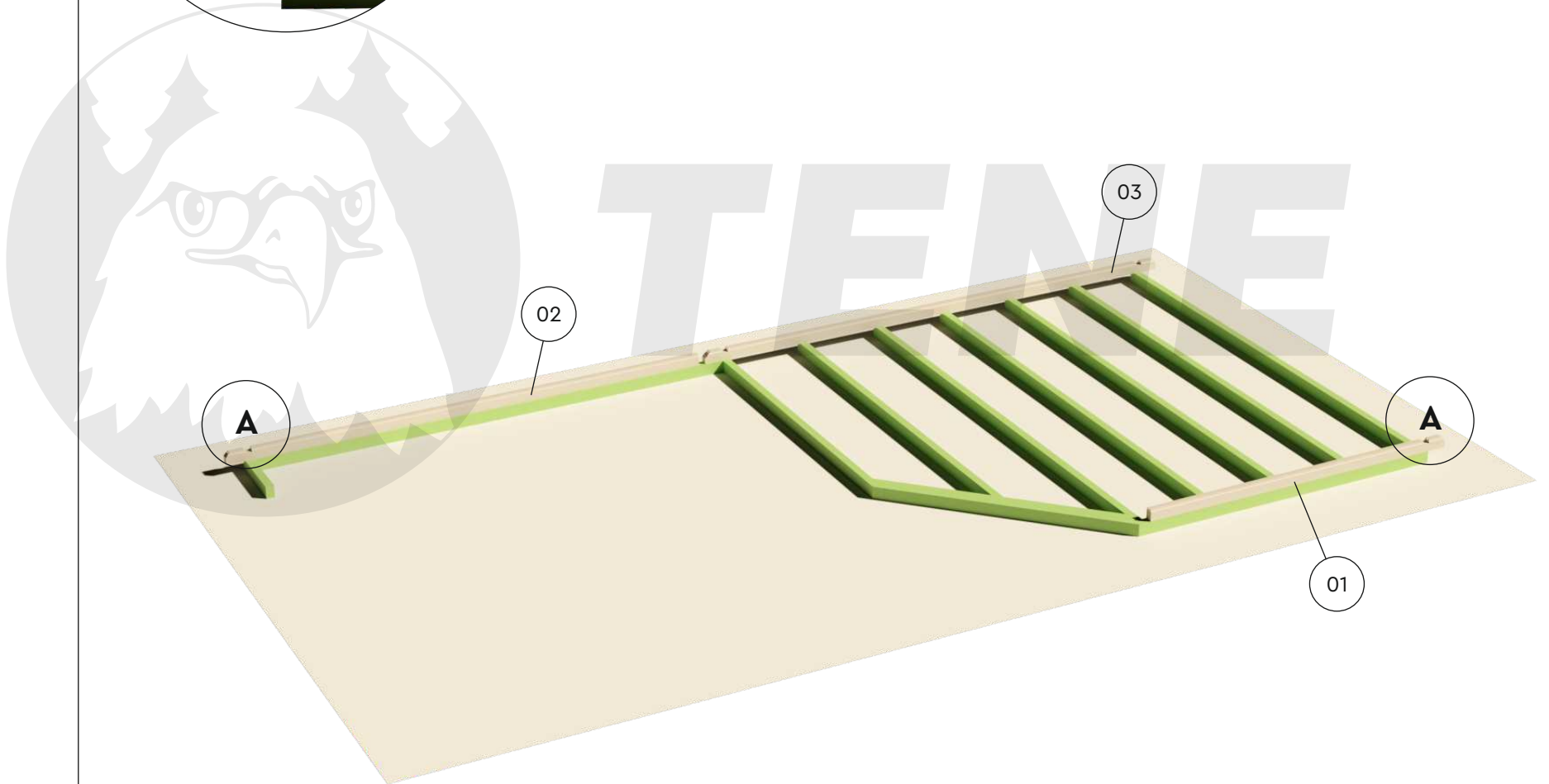
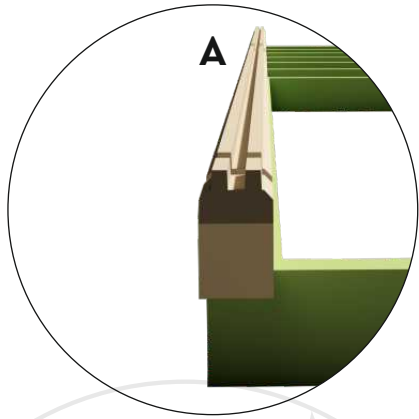
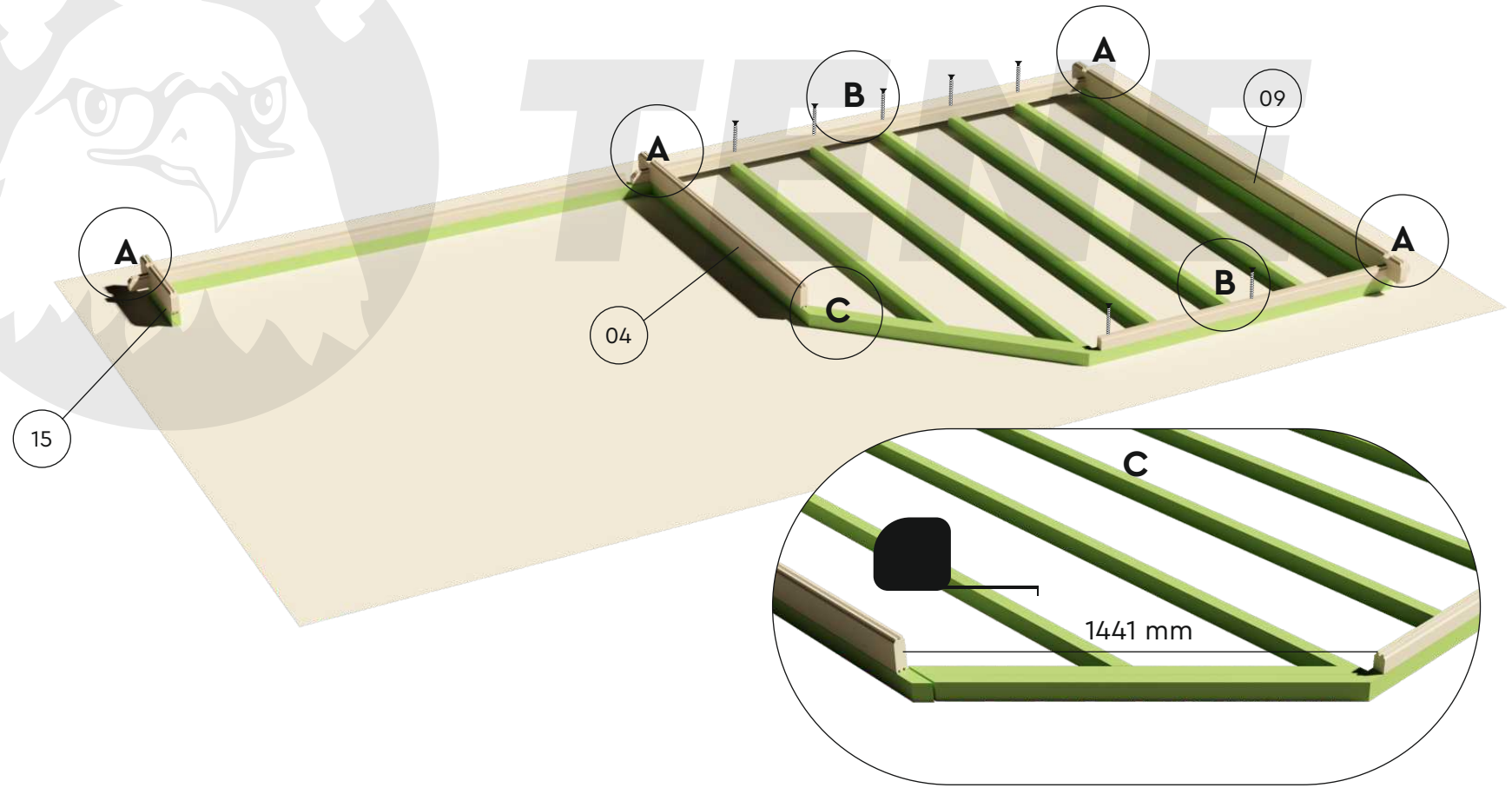
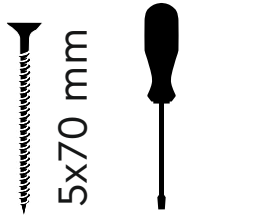
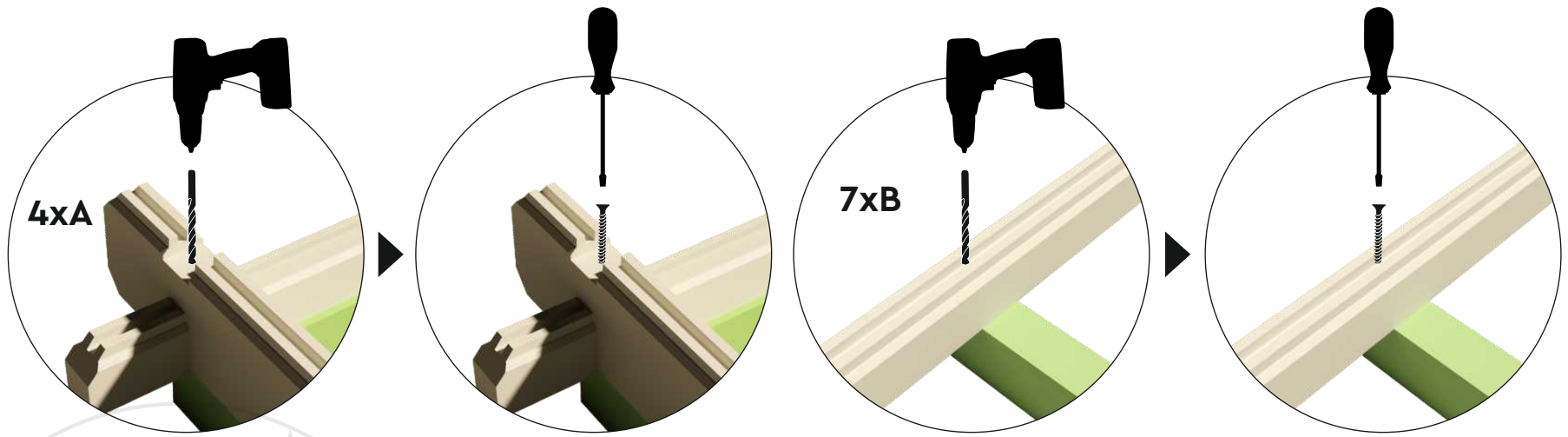


CATANIA 40

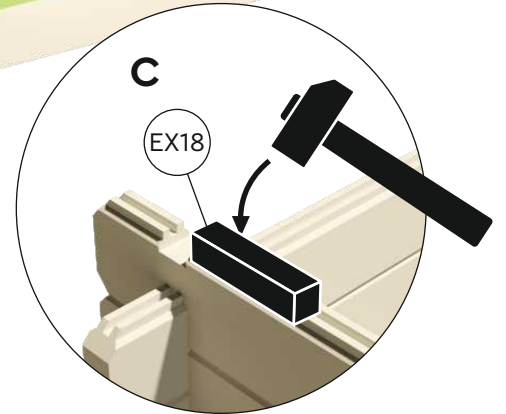
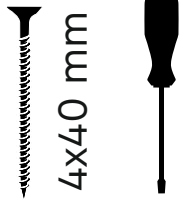
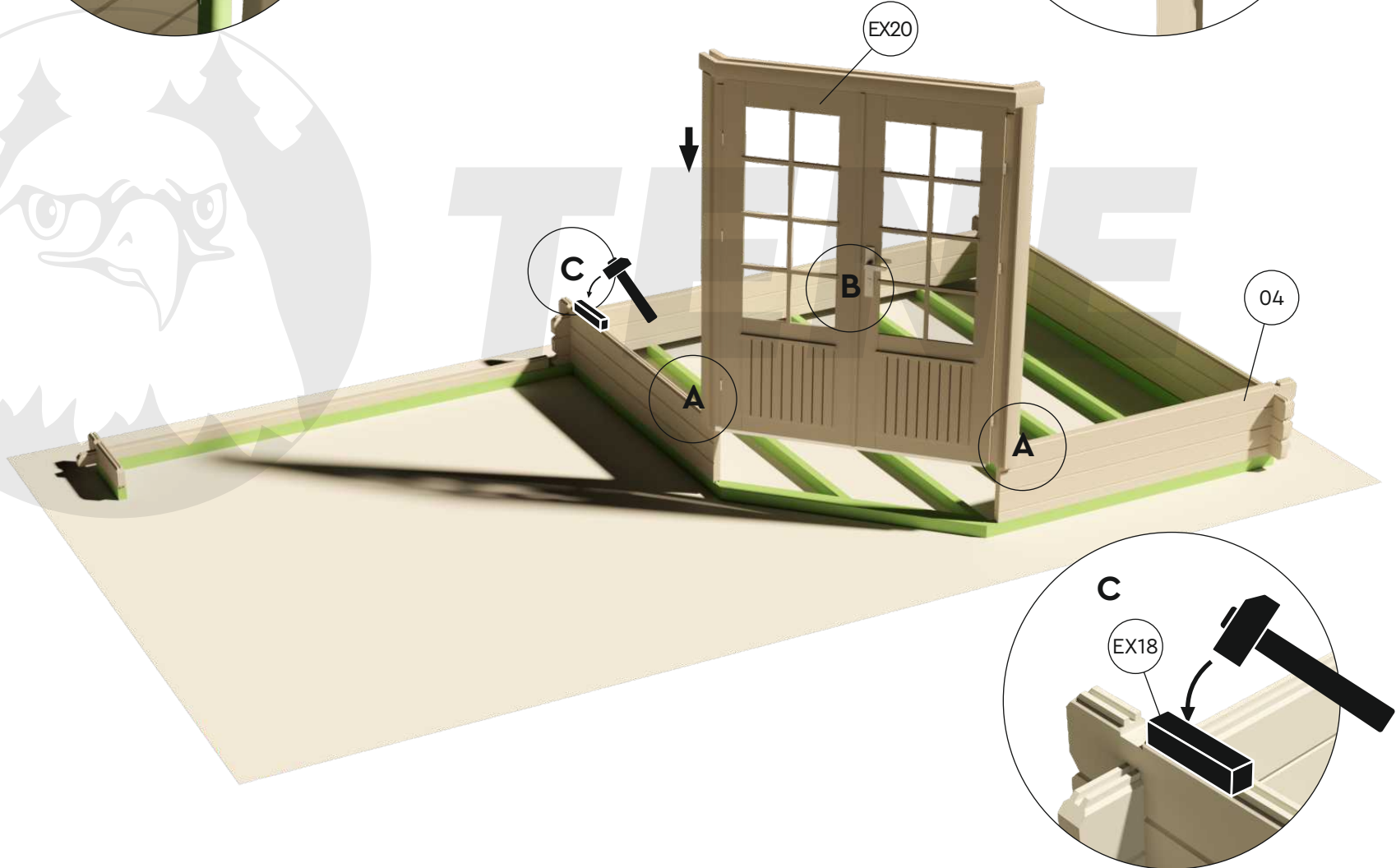
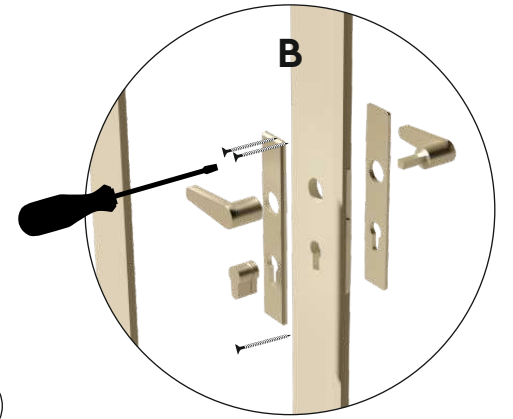
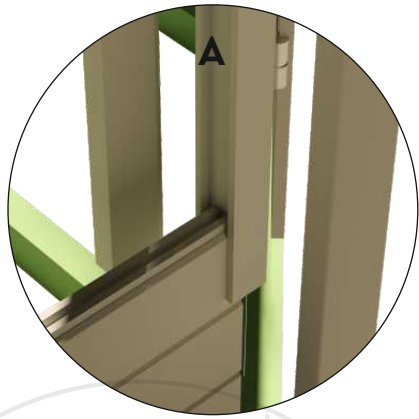


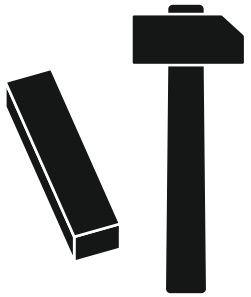
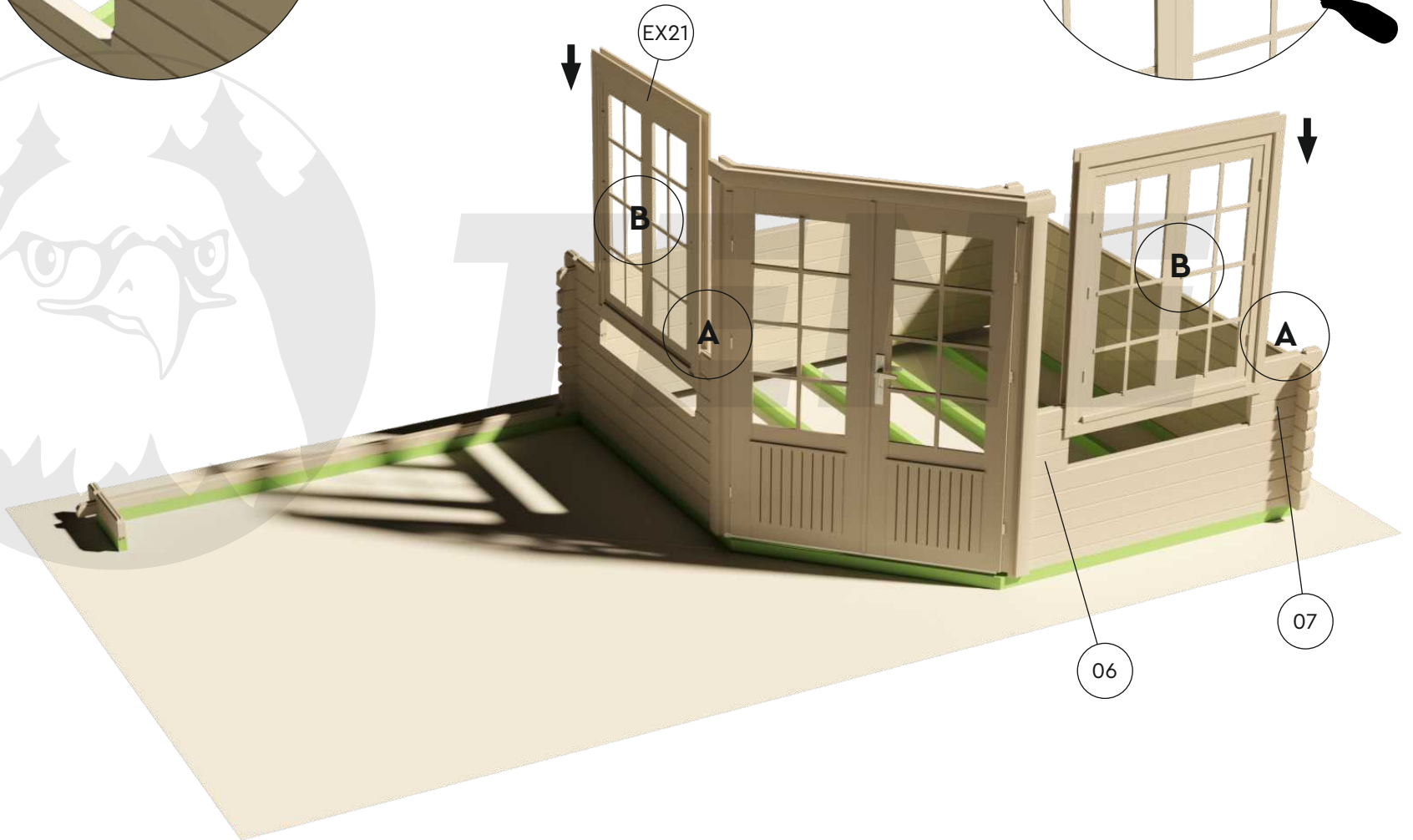
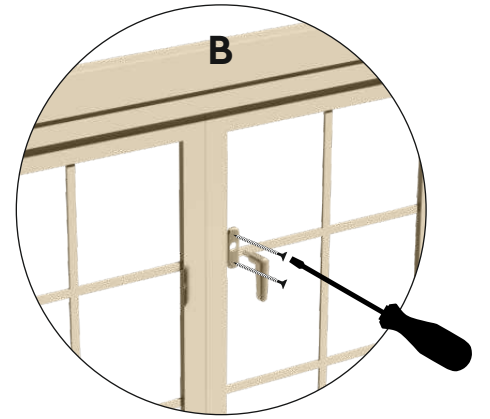
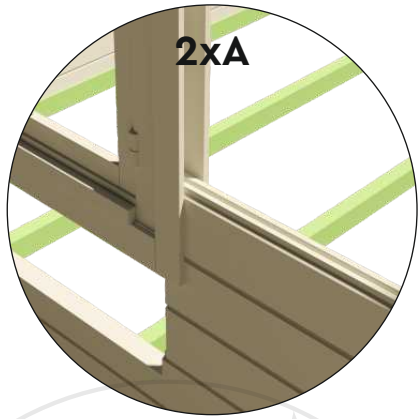


CATANIA 40

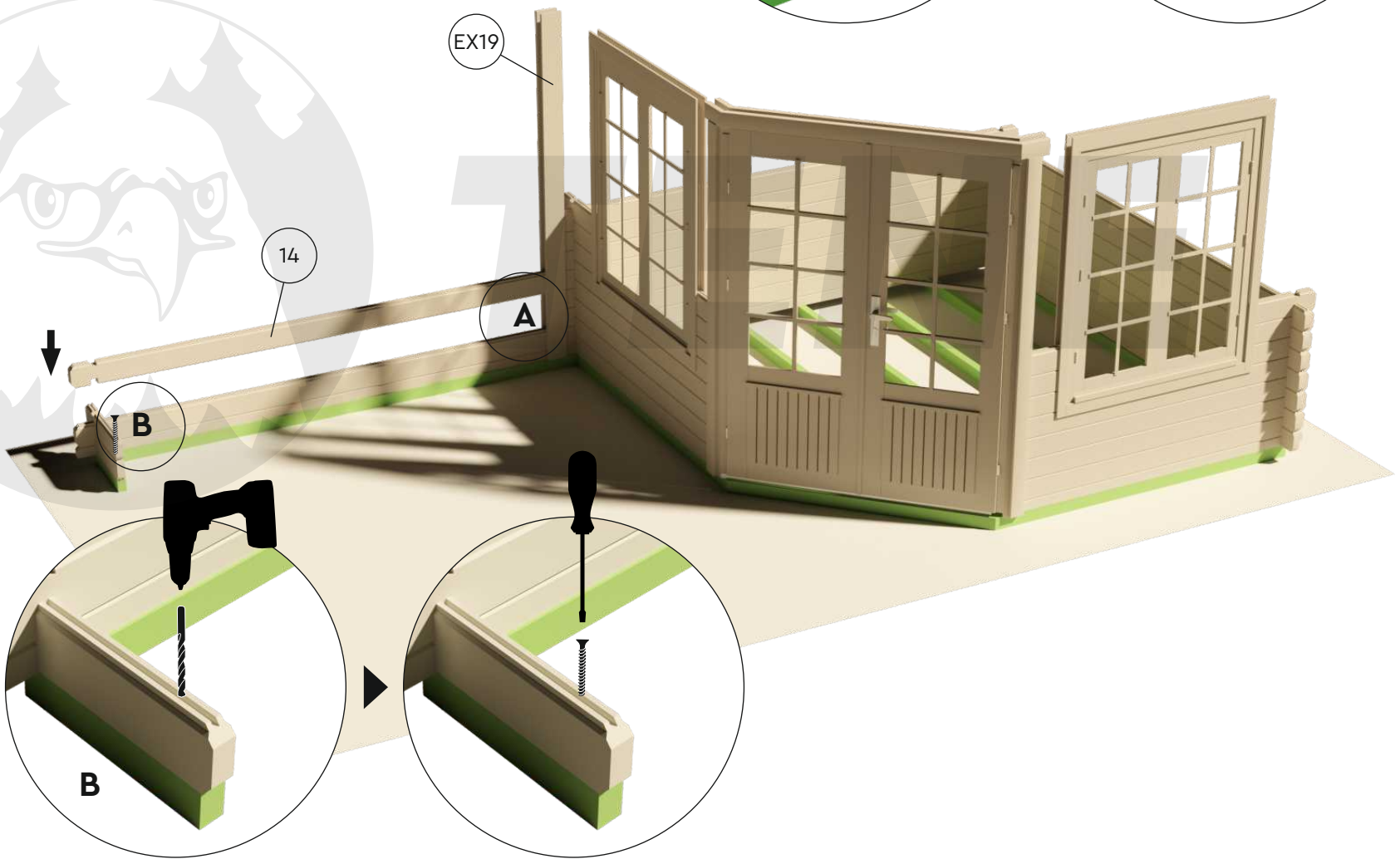
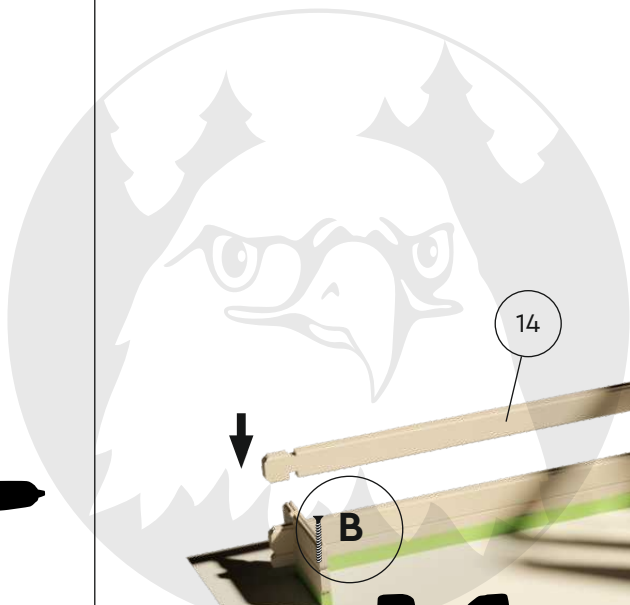
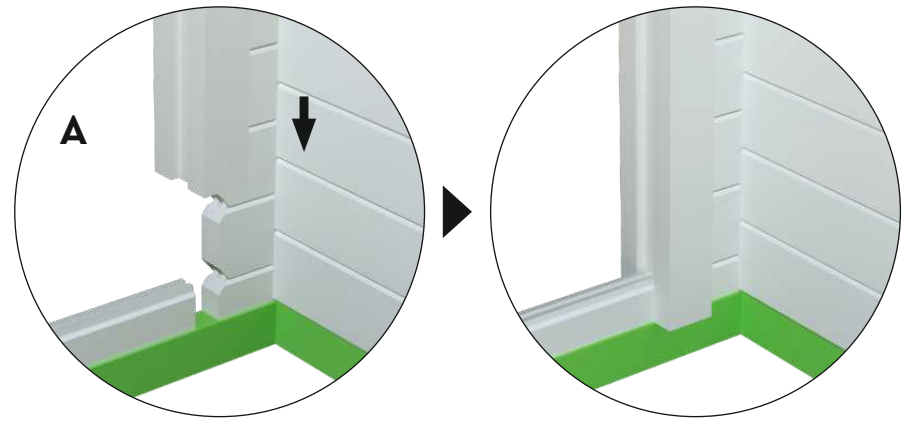


CATANIA 40

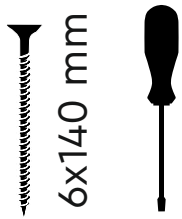




CATANIA 40



Ø 5 mm



6x140 mm

CATANIA 40



Ø 3 mm



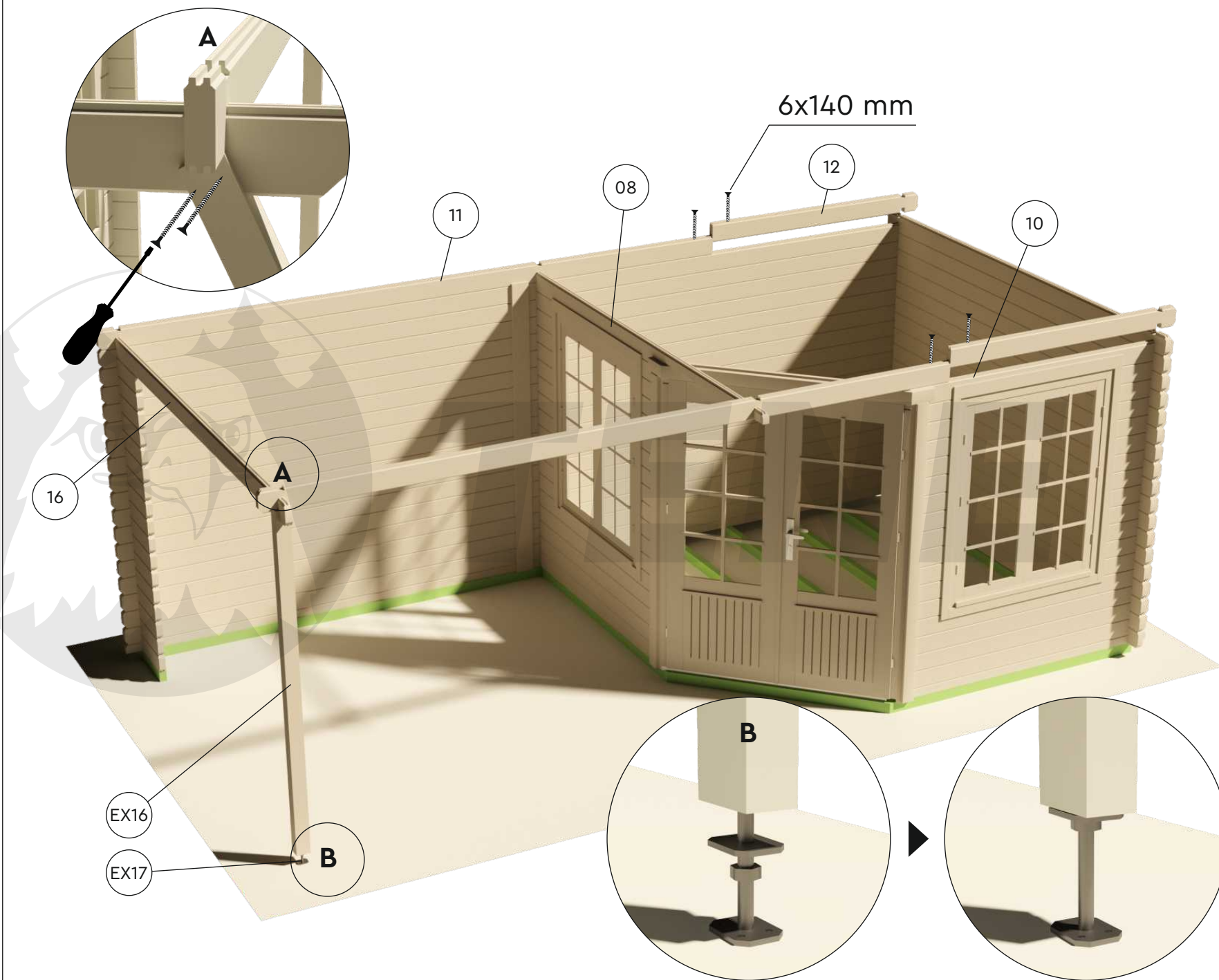
Ø 5 mm



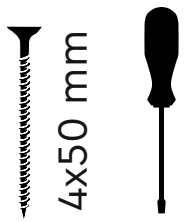
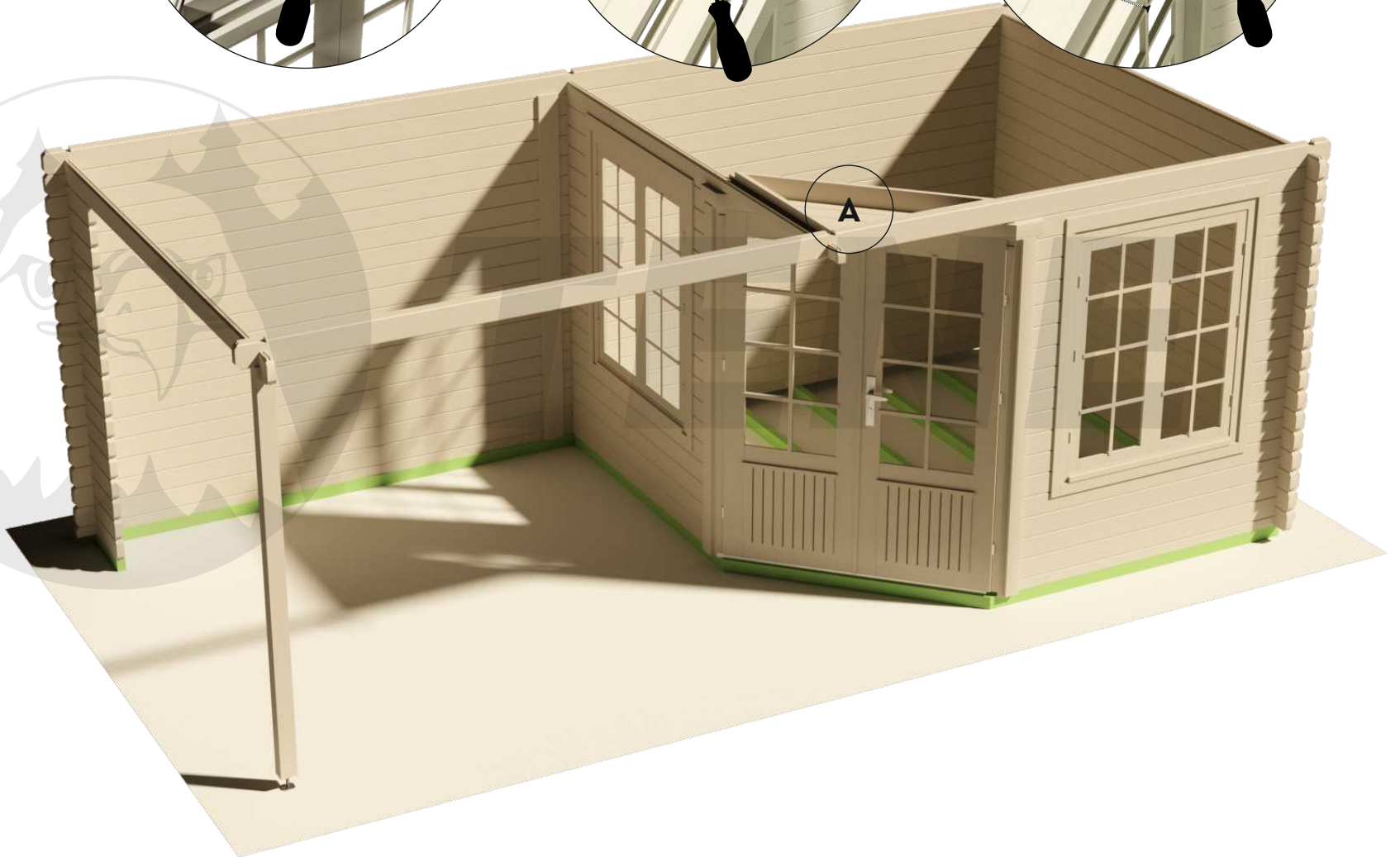
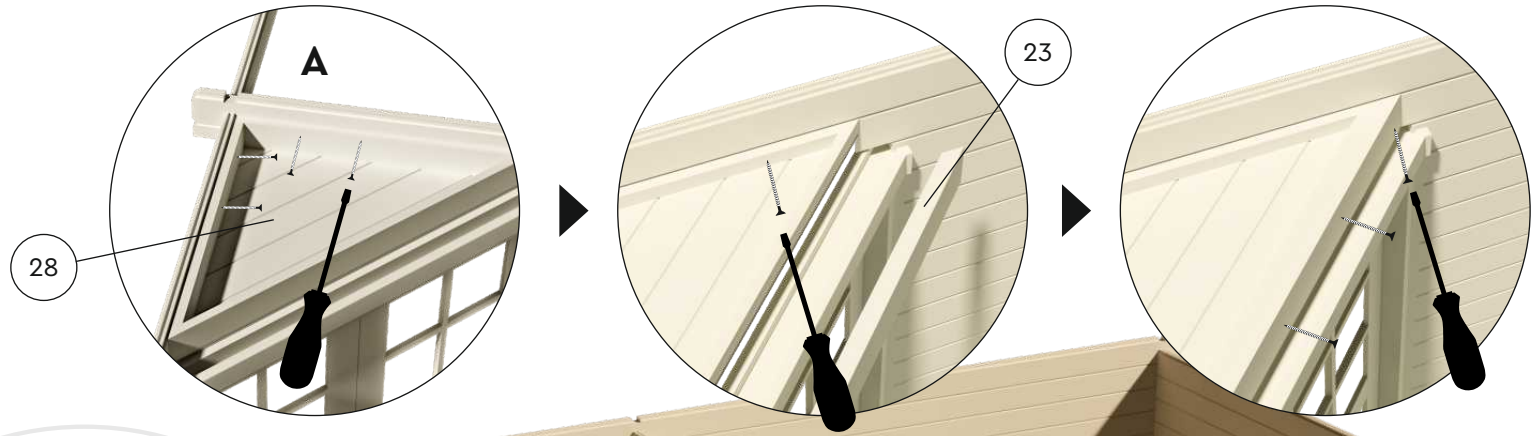
4x40 mm



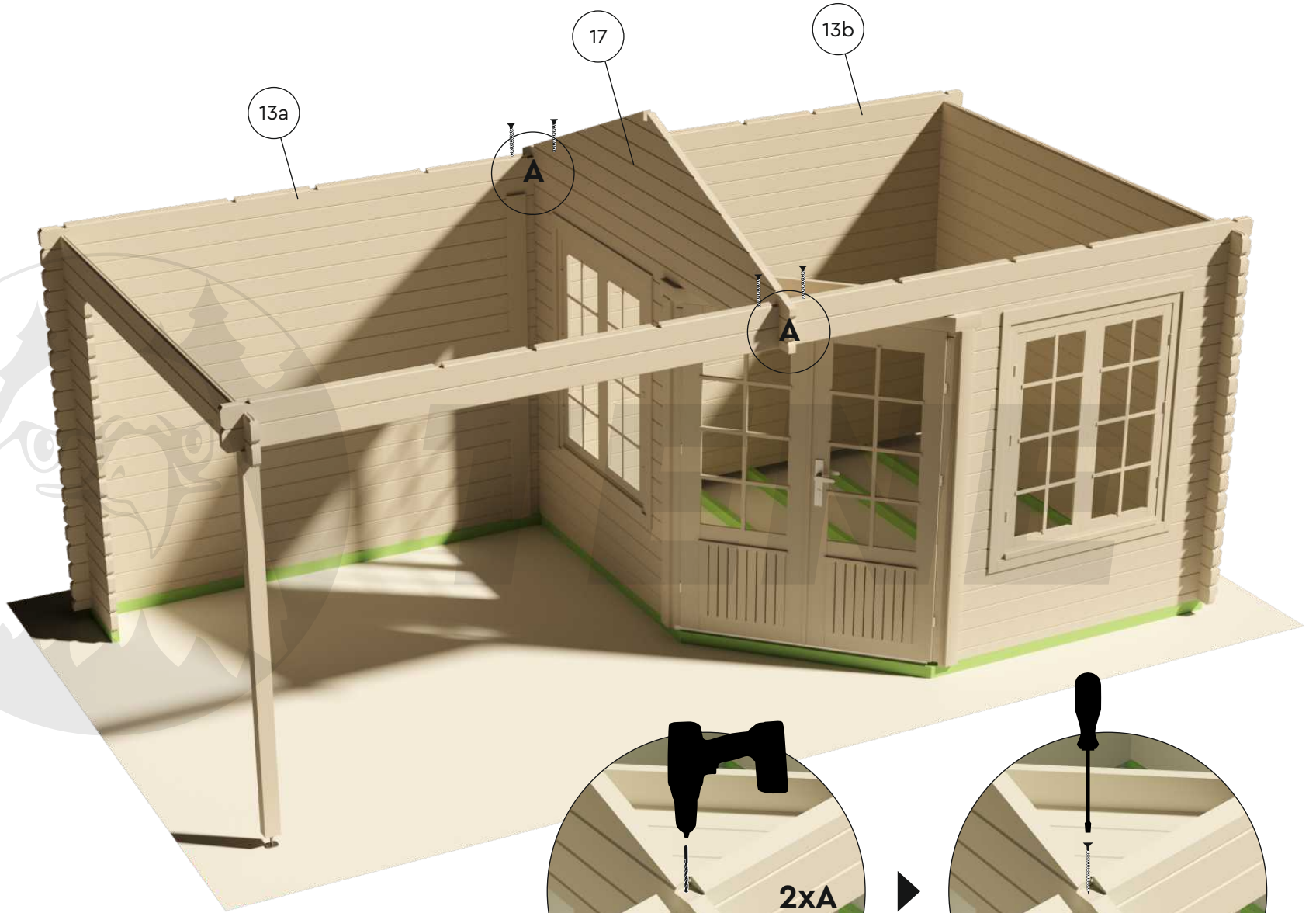
6x140 mm



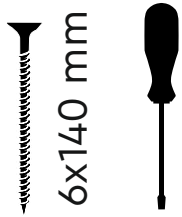
CATANIA 40



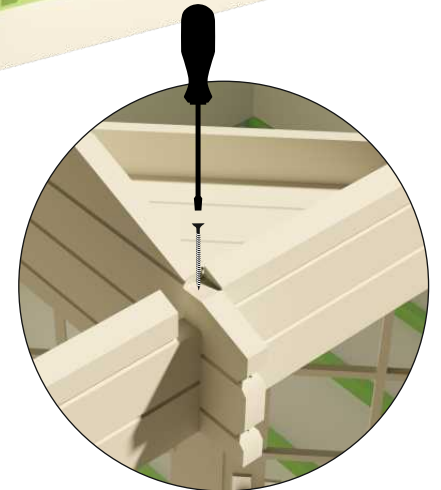
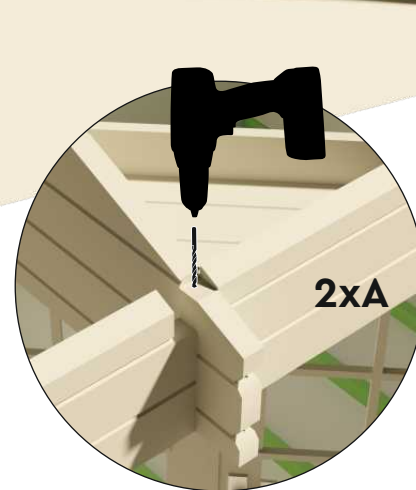
CATANIA 40



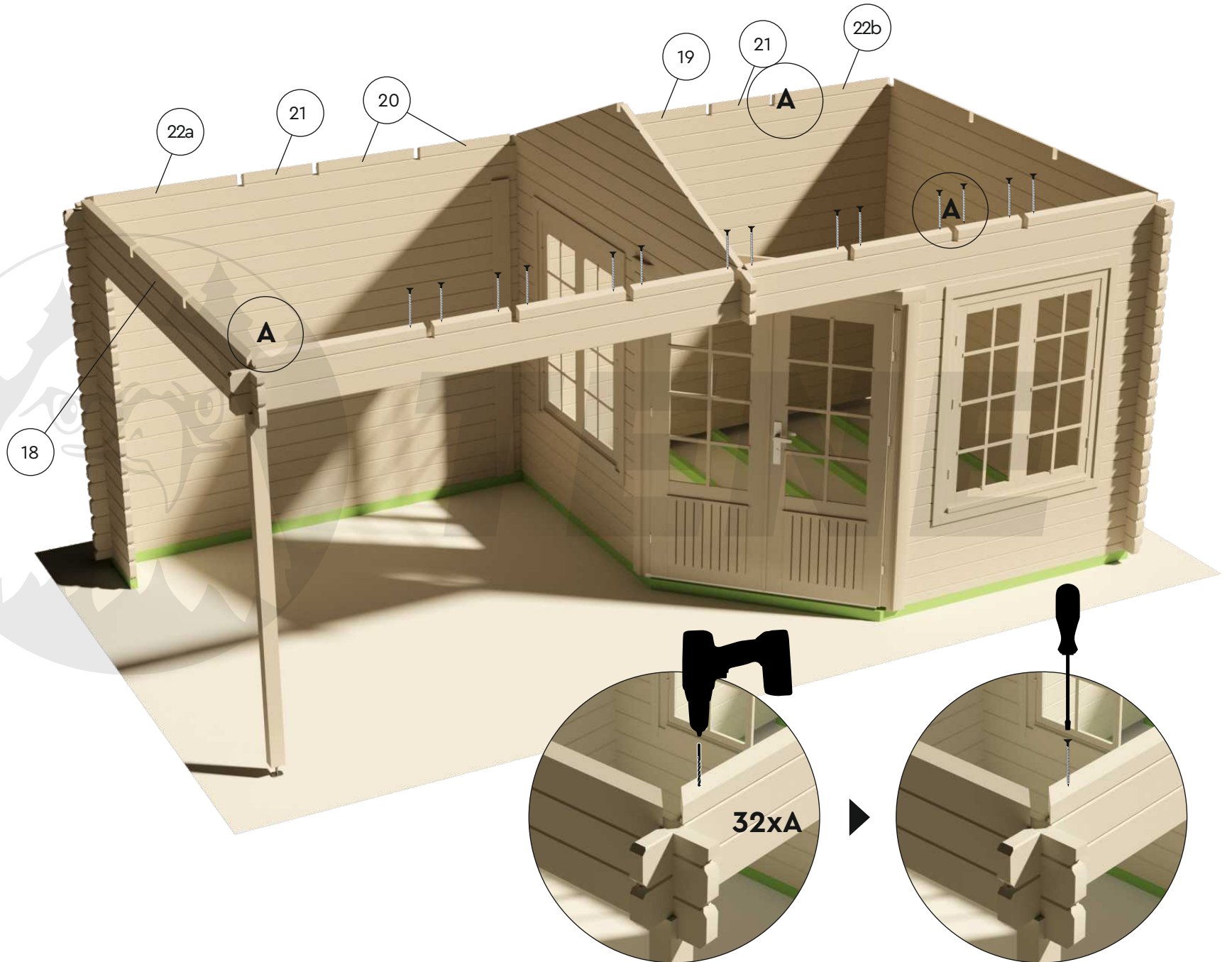
Ø 5 mm



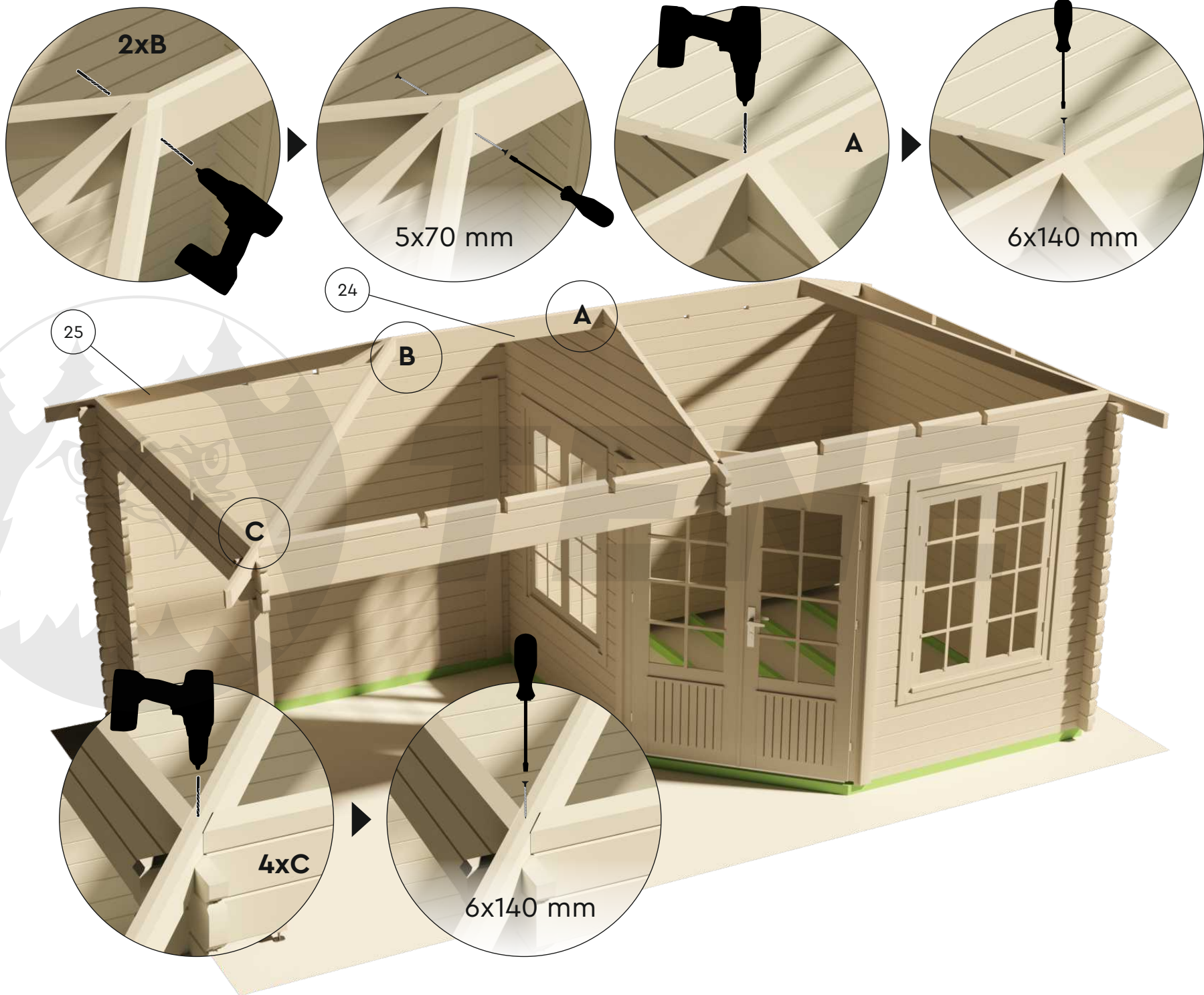
6x140 mm



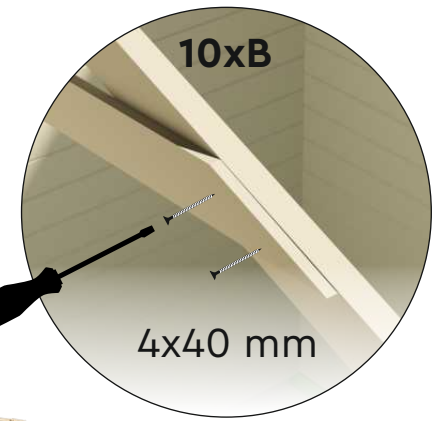
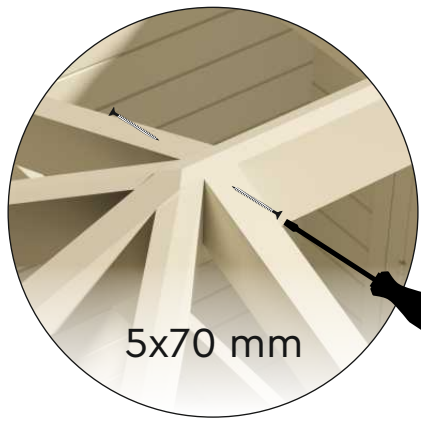
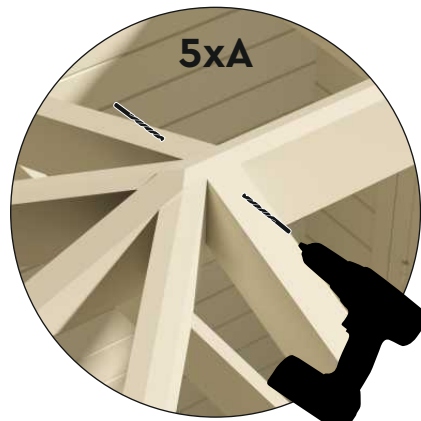
CATANIA 40



CATANIA 40



CATANIA 40



ø 3 mm



ø 4 mm



4x40 mm



5x70 mm



27

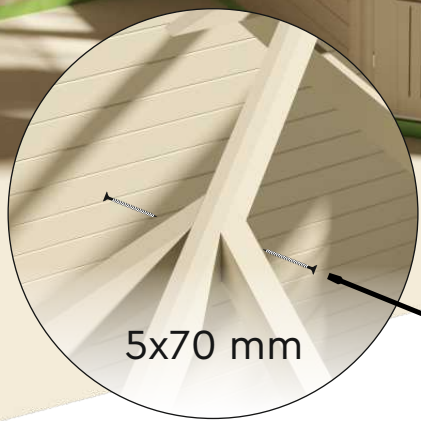
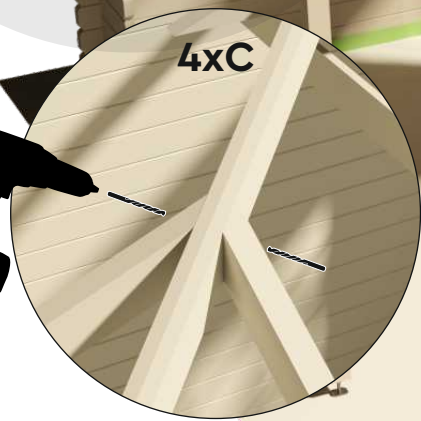
A

C

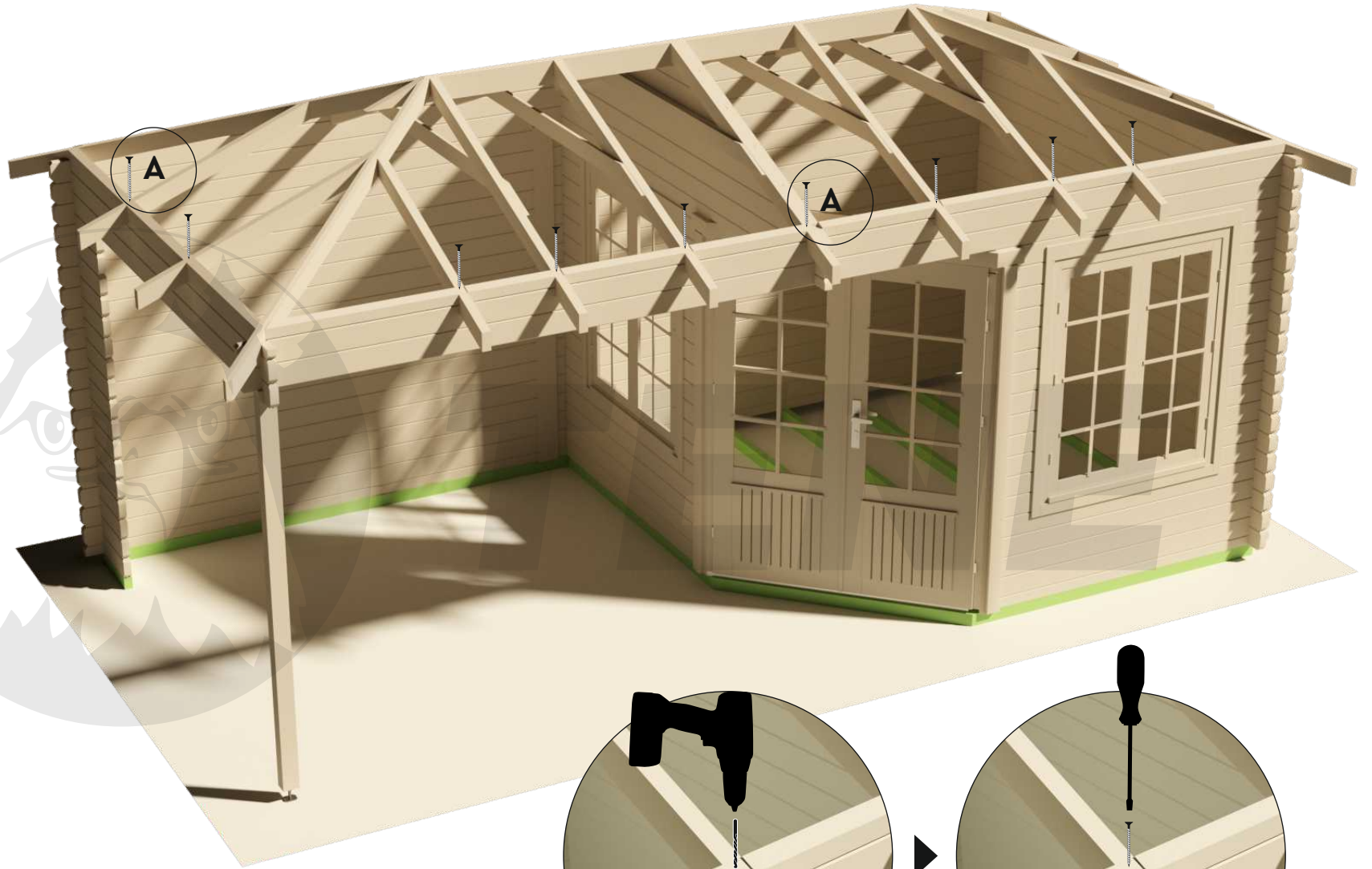
B

EX11

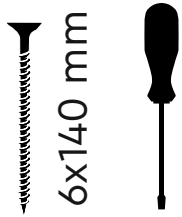
26



CATANIA 40



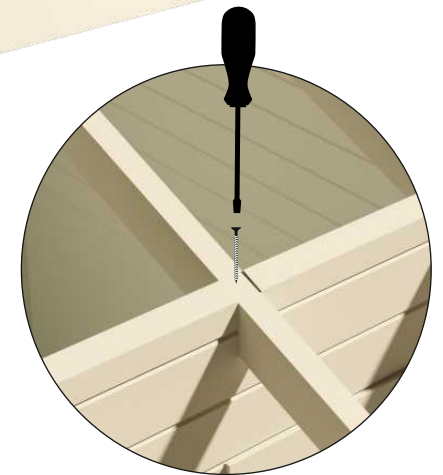
Ø 5 mm



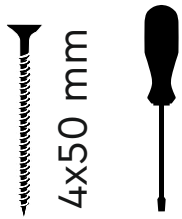
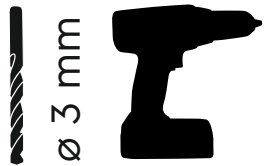
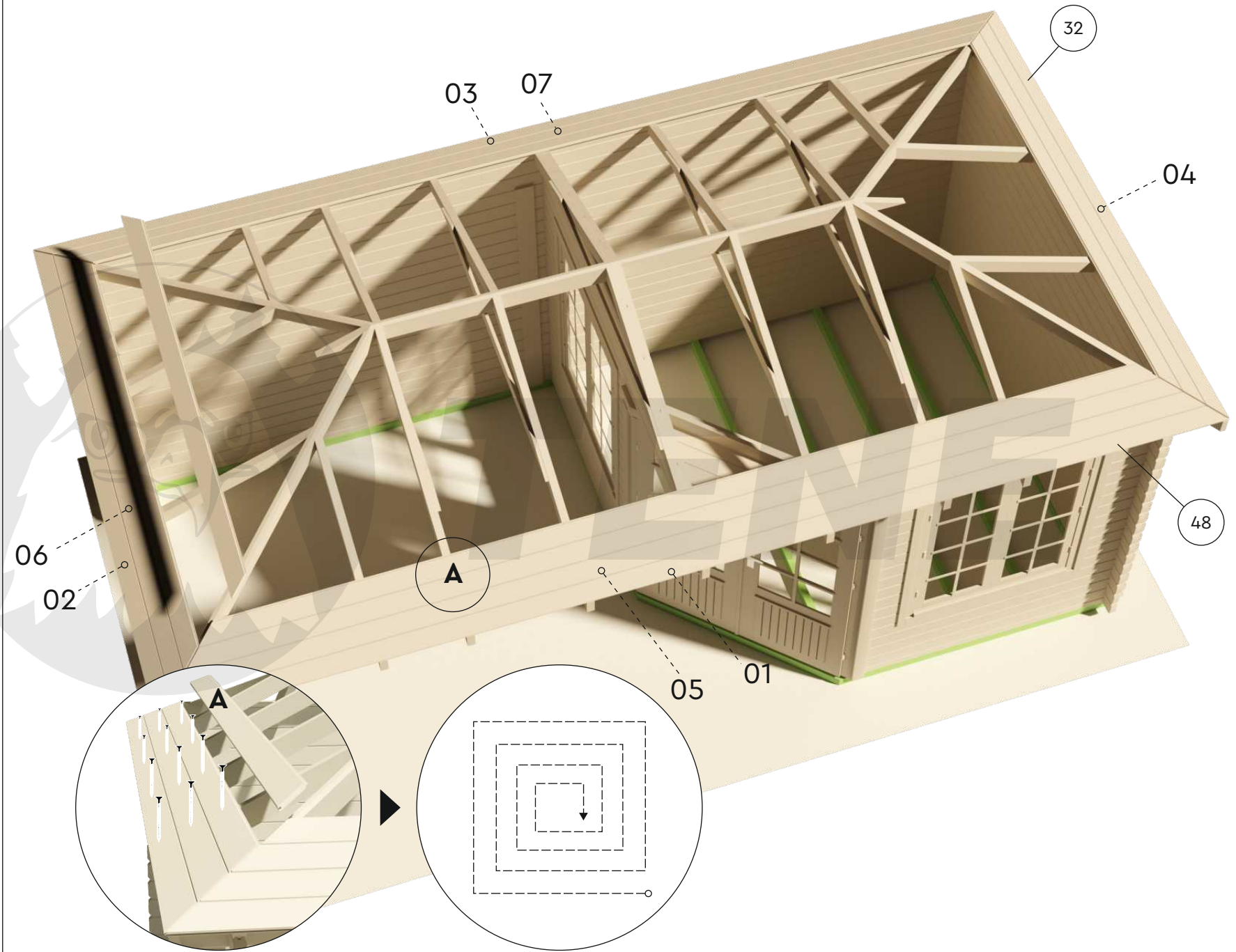
6x140 mm



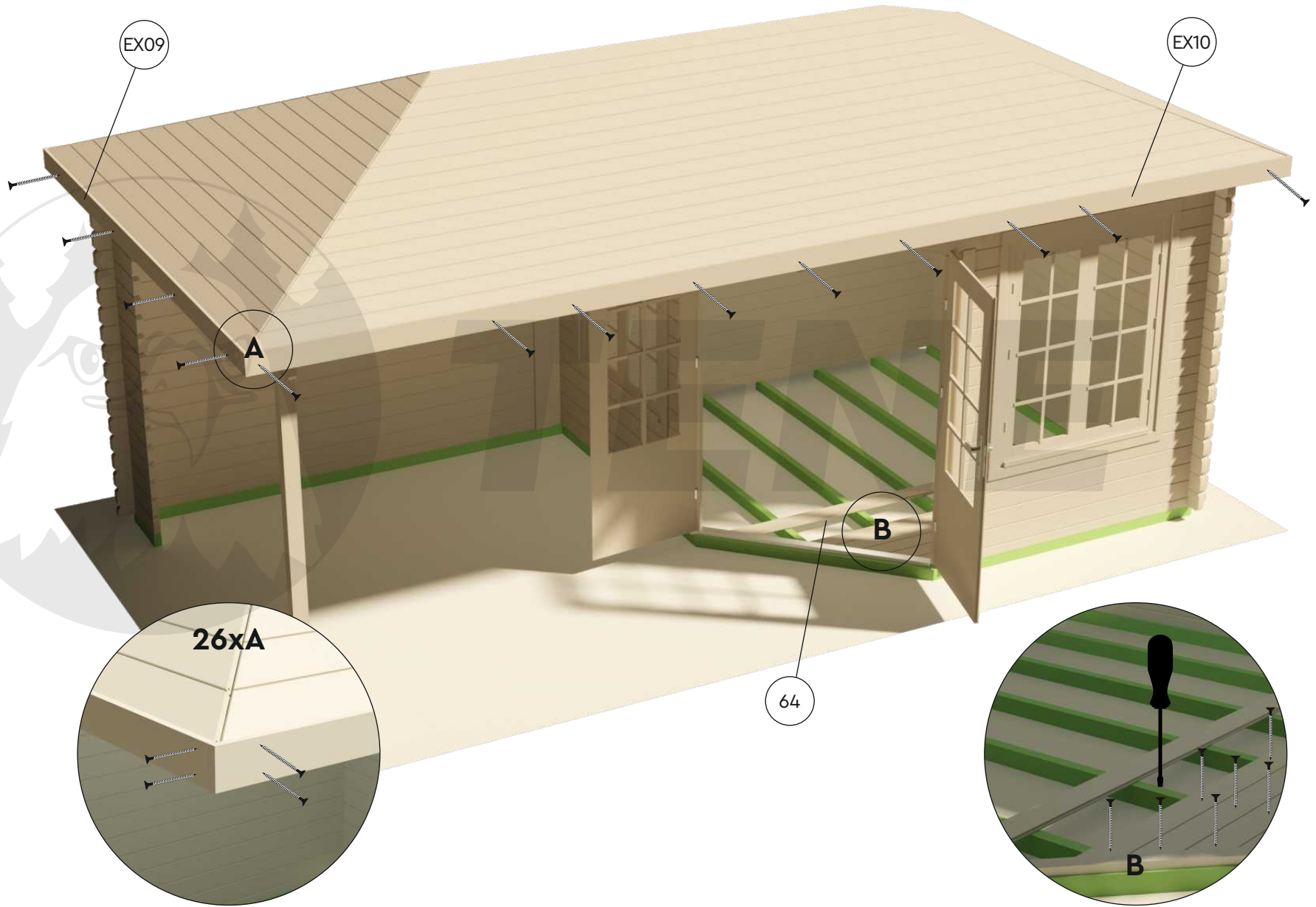
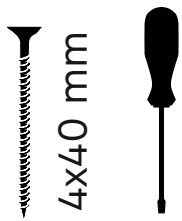
18xA



CATANIA 40



CATANIA 40



CATANIA 40

